

# ICC - Bed CS7



*Yes, you can.*

# Parts Catalog Usage Guide

The information contained in this document is subject to change without notice. This catalog contains service parts for Form No. 13-230. If you have any questions regarding this catalog, please contact one of our Customer Service Representatives.

**For Customer Service and Technical Support, Call:  
1-800-668-2337**

**For Literature Requests, Call:  
1-800-668-2337 or go to our website  
[www.invacare-cc.com](http://www.invacare-cc.com)**

## SYMBOL DEFINITION

Throughout this catalog you will notice letters to draw your attention to specific footnotes which are located at the bottom of the page or below specified charts.

Examples:

A,B,C etc. = Special Comments  
NOTE: = General information pertaining to that specific page  
NLA = No Longer Available

## HARDWARE MEASUREMENTS

The measurements for the hardware will be listed as follows:

Screws, Bolts Diameter X Thread Count/Pitch X Length  
Washers Inside Diameter X Outside Diameter X Thickness  
Spacers Inside Diameter X Outside Diameter X Length

For your convenience, we have supplied an area for you to list your Invacare Representatives.

Name	Phone Numbers

© 2017 Invacare Corporation. All rights reserved. Republication, duplication or modification in whole or in part is prohibited without prior written permission from Invacare. Trademarks are identified by ™ and ®. All trademarks are owned by or licensed to Invacare Corporation or its subsidiaries unless otherwise noted.

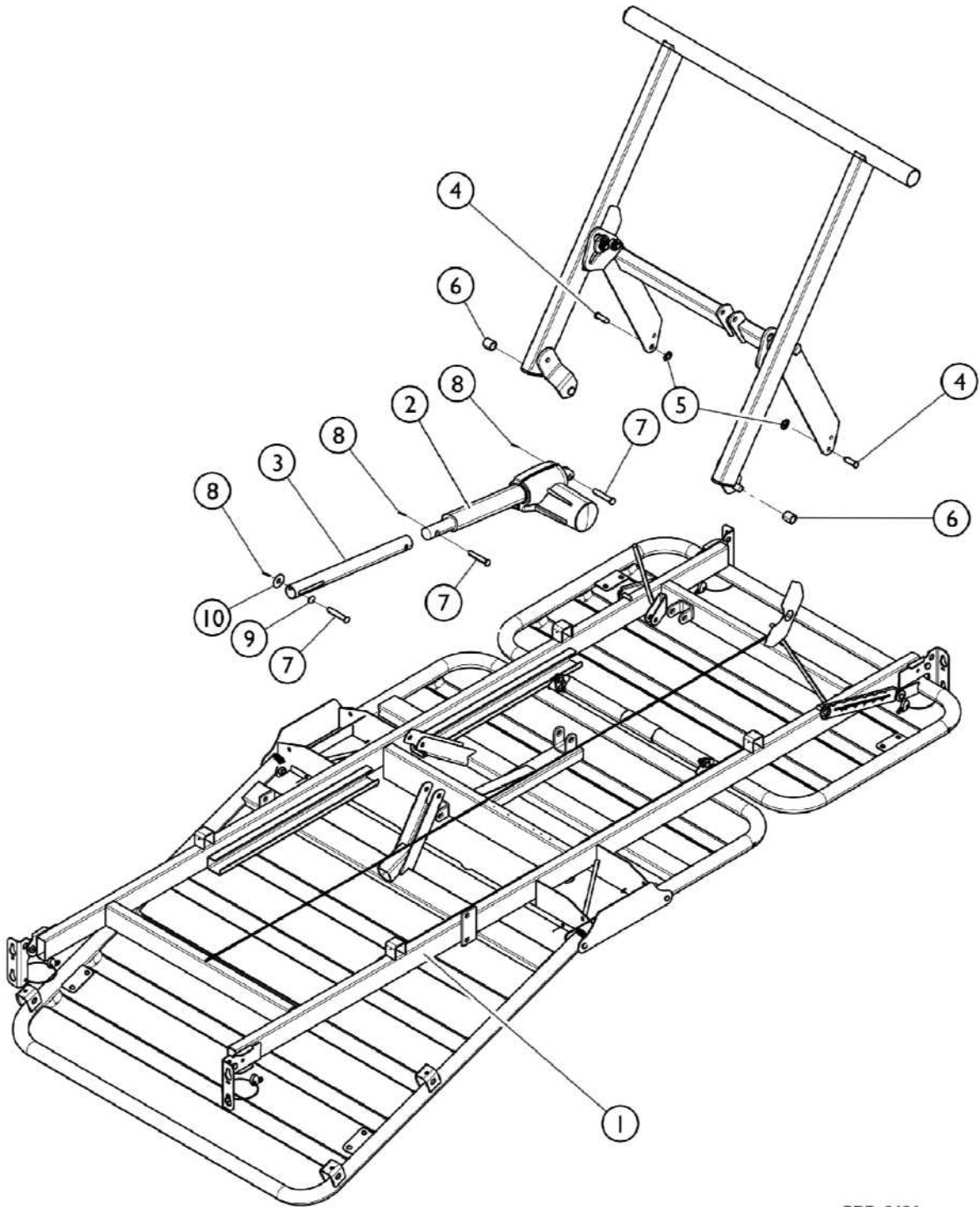
# TABLE of CONTENTS

<b>Description</b>	<b>Page Number</b>
01. Bed Frame .....	4
02. Frame Deck Assembly .....	6
03. Leg Link Assembly with Casters .....	8
04. Leg Link Assembly with Floor Brake .....	9
05. Dual Steering Caster Assembly .....	10
06. Electrical Components (Before 8/17/10) .....	12
07. Electrical Components (After 8/17/10) .....	14
08. Safety Package Electronics (After 8/17/10) - NLA .....	16
09. Wire Assembly .....	18
10. Assist Bar .....	20
11. Assist Rail .....	22
12. Assist Bar and Rail Hardware .....	24
13. Positional Devices .....	26
14. Partial Rail .....	28
15. Headboard and Footboard .....	30
16. Footboard, ACP with Trendelenburg Feature, Analog Service .....	32
17. Headboard and Footboard Hardware .....	34
18. Miscellaneous Options - Extensions and Hangers .....	36
19. Miscellaneous Options - Wireframes and Pan Decks .....	37
20. Miscellaneous Electronics - Battery and Actuators .....	38
21. Miscellaneous Electronics - Backups and Controls .....	40

# TABLE of CONTENTS

Description	Page Number
22. Trapeze .....	42
23. Bed Transporter .....	44

# Bed Frame

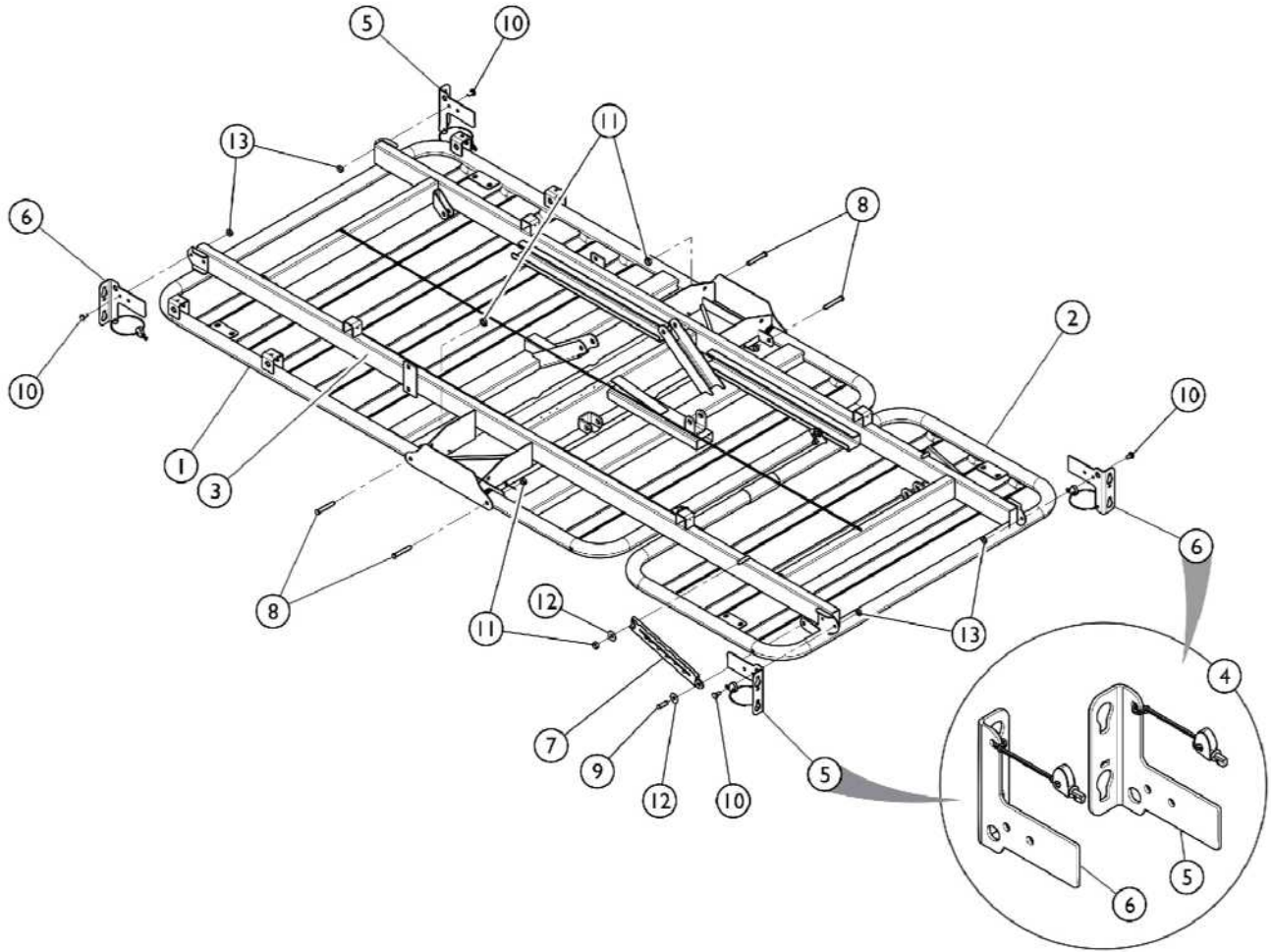


SBP\_042A

## Bed Frame

Item Number	Note	Part Number	Description	Quantity Per	
				Package	Assembly
1		1149706-NLA	NLA - Frame, Bed	1	1
2		1147532	Actuator, Foot (LA27-U042-01)	1	1
3		1149695	Extension Tube, Motor - Foot	1	1
4		1147524	Clevis Pin, Leg Link	1	3
5		1147566	Nut, Push (3/8")	1	4
6		1144984	Bushing, Glide - White	1	4
7		1186864	Clevis Pin (3/8 x 2" L)	1	3
8		PINBOW38-NLA	NLA - Cotter Pin, Bowtie (3/8")	1	3
9		1186872	Spacer, Foot Motor Extension Tube, Plastic	1	1
10		1186857-NLA	NLA - Washer, Nylon (3/8 x 3/4 x 1/16")	1	4

# Frame Deck Assembly



SBP\_044A

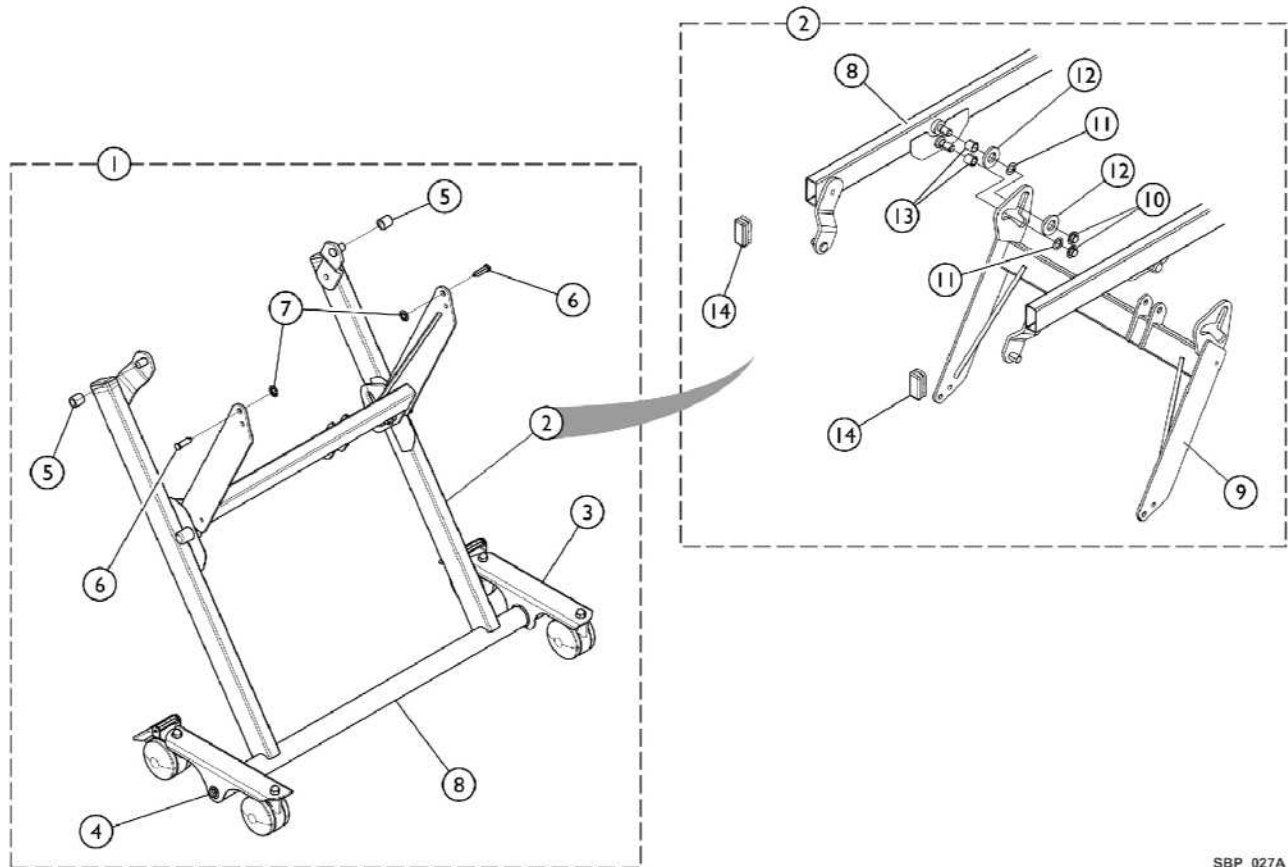
## Frame Deck Assembly

Item Number	Note	Part Number	Description	Quantity Per	
				Package	Assembly
1		1158933	Head Section, Bed (36" W)	1	1
1		1165156	Head Section, Bed (39" W)	1	1
1		1165158	Head Section, Bed (42" W)	1	1
2	C	1157351	Foot and Thigh Section, Bed (36" W)	1	1
2	A	1165160	Foot and Thigh Section, Bed (39" W)	1	1
2	A	1165162	Foot and Thigh Section, Bed (42" W)	1	1
3		1149706	NLA - Frame, Bed	1	1
4	B	1159596	Kit, Bracket, Bed End - Foot (Pair)	2	2
5			Bracket, Bed End, Adjustable, Foot - Right	1	1
6			Bracket, Bed End, Adjustable, Foot - Left	1	1
5		1159590	Bracket, Bed End, Adjustable, Foot - Right	1	2
6		1159591	Bracket, Bed End, Adjustable, Foot - Left	1	2
7		1147550	Ratchet, Knee	1	2
8		1147565	Clevis Pin, Deck to Frame (36" W)	1	4
8		1165153	Kit, Deck Hardware (39" W)	1	1
8		1165154	Kit, Deck Hardware (42" W)	1	1
9		PIN51634-NLA	NLA - Pin, Clevis (5/16" x 3/4")	1	2
10		1186877	Bolt, Attachment (1/4-20)	1	4
11		1186909	Nut, Push (5/16)	1	5
12		1186857-NLA	NLA - Washer, Nylon (3/8 x 3/4 x 1/16")	1	2
13		1186860	Lock Nut, Purple Insert (1/4-20)	1	4

NOTE: A - Sent together with (6) NUT516PN.  
 B - For Beds built prior to 5/2008, use 1159596 as their replacement. See category "Head and Foot Boards" to order corrects Head and Footboards.  
 C - Sent together with Screws (4), Nuts (4), and Washers (2).



# Leg Link Assembly w/ Casters

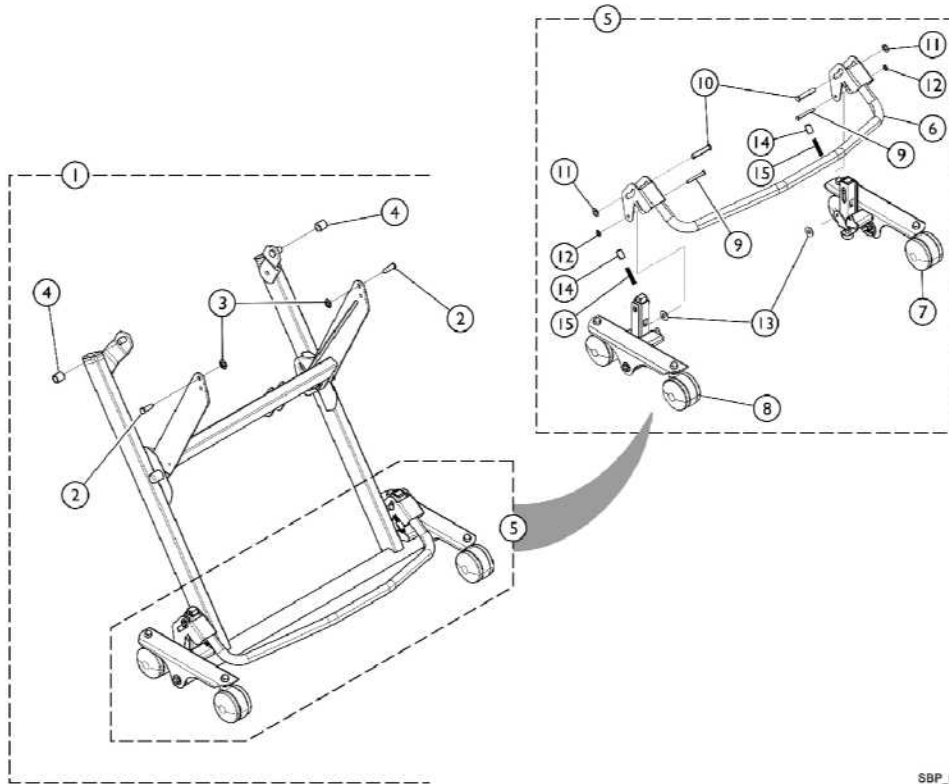


SBP\_027A

Item Number	Note	Part Number	Description	Quantity Per	
				Package	Assembly
1	A	1156563	Leg and Link Assembly (w/ Casters)	1	1
2	B	1147534	Leg and Link Assembly	1	1
3		1147608	Dual Caster Steering Assembly - Left (3")	1	1
4		1147607	Dual Caster Steering Assembly - Right (3")	1	1
5		1144984	Bushing, Glide - White	1	2
6		1147524	Clevis Pin, Leg Link	1	2
7		1147566	Nut, Push (3/8")	1	2
8		1149705-NLA	NLA - Leg, Bed	1	1
9		1149704	Link, Stabilizer	1	1
10		1147519	Nut, Push	1	4
11		1147612	Washer, Flat - Plain	1	4
12		1147541	Washer, Flat - Nylon	1	4
13		1145036	Bushing, Cam - Steel	1	4
14		1186878-NLA	NLA - Plug, Universal (1" x 2" - PLG-1-2-14)	1	2

NOTE: A - Includes items 2 - 8.  
B - Includes items 8 - 14.

# Leg Link Assembly w/ Floor Brake



SBP\_026A

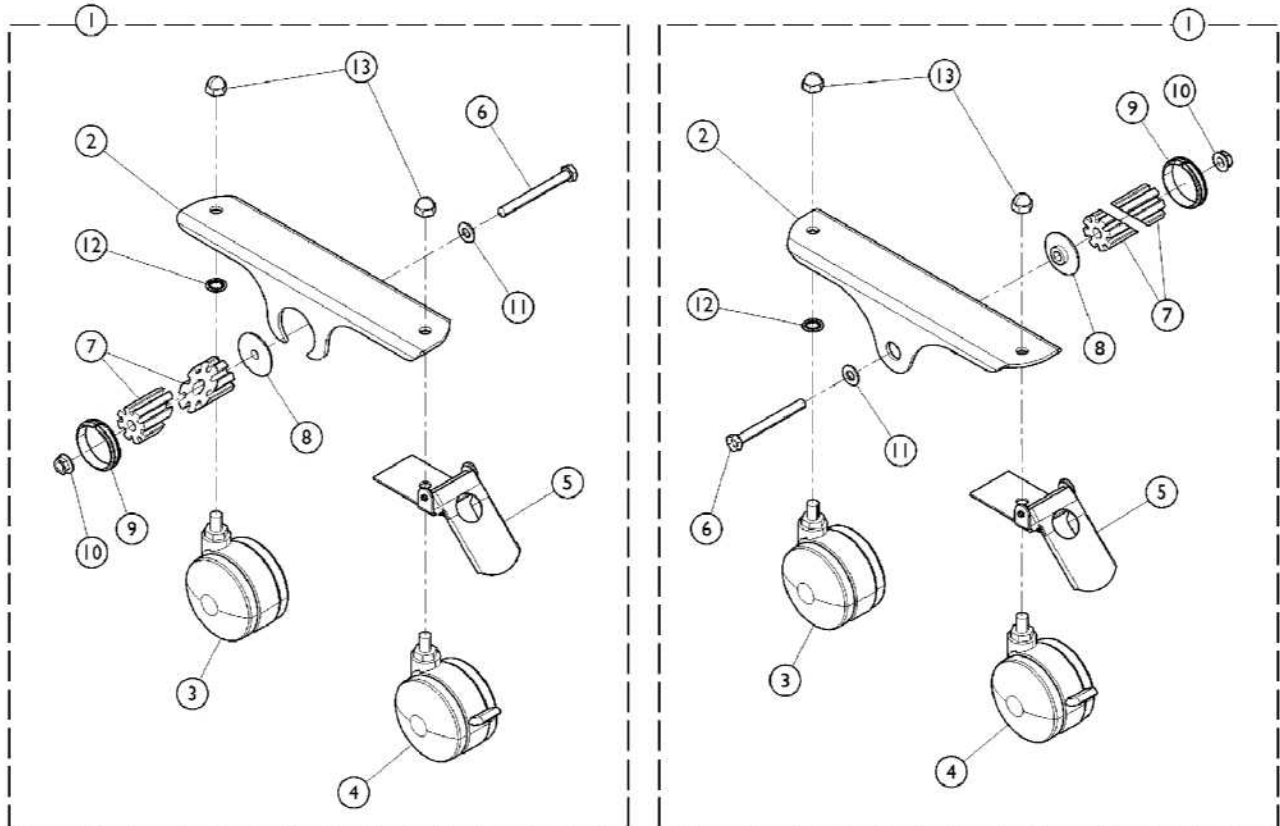
Item Number	Note	Part Number	Description	Quantity Per	
				Package	Assembly
1	A	1156565	Leg and Link Assembly (w/ Floor Lock)	1	1
2		1147524	Clevis Pin, Leg Link	1	2
3		1147566	Nut, Push (3/8")	1	2
4		1144984	Bushing, Glide - White	1	2
5	B	1149702-NLA	NLA - Floor Lock Assembly	1	1
6		1147260-NLA	NLA - Pedal, Brake	1	1
7		1147262	Caster Bracket Assembly, Foot End - Left	1	1
8		1147261	Caster Bracket Assembly, Foot End - Right	1	1
9		1147224	Clevis Pin, Pedal Flange	1	2
10		1186864	Clevis Pin (3/8 x 2" L)	1	2
11		1147566	Nut, Push (3/8")	1	2
12		1153363	Nut, Push (1/4")	1	2
13		1186872	Spacer, Foot Motor Extension Tube, Plastic	1	2
14		1152588-NLA	NLA - Bushing, Spring - Nylon	1	2
15		1147230-NLA	NLA - Spring, Compression - Brake Pedal	1	2
	C	1147534	Leg and Link Assembly	1	1

NOTE: A - Includes items 2 - 5 and 1147534.

B - Includes items 6 - 15.

C - See Section 3 "Leg Link Assembly w/ Casters" to order replacement parts.

# Dual Steering Caster Assembly

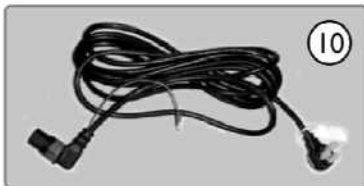
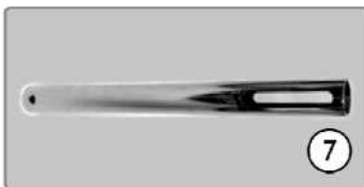
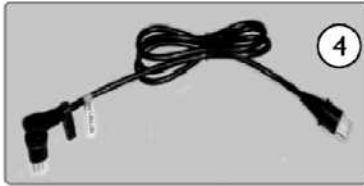
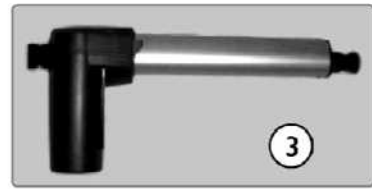


## Dual Steering Caster Assembly

Item Number	Note	Part Number	Description	Quantity Per	
				Package	Assembly
1	A	1147607	Dual Caster Steering Assembly - Right (3")	1	1
2		1147606	Bracket, Caster - Painted	1	1
3		1147526	Caster, Non-Locking (3")	1	1
4		1147527	Caster, Locking (3")	1	1
5		1153746	Steering Bracket Assembly	1	1
6		1186906	Screw, Hex Head (5/16 x 3")	1	1
7		1143736-NLA	NLA - Bushing, Wedge - Lower Leg	2	1
8		1152558-NLA	NLA - Washer, Plastic	1	1
9		1147513-NLA	NLA - Dual Trim, Caster Bracket	1	1
10		1186907	Nut, Hex Head, Flange (5/16-18)	1	1
11		1186908-NLA	NLA - Washer, Plain (.370 x .868 x .064)	1	1
12		1152559	Washer, Lock, Internal Tooth	1	1
13		1147523	Nut, Acorn	1	2
1	A	1147608	Dual Caster Steering Assembly - Left (3")	1	1
2		1147606	Bracket, Caster - Painted	1	1
3		1147526	Caster, Non-Locking (3")	1	1
4		1147527	Caster, Locking (3")	1	1
5		1153746	Steering Bracket Assembly	1	1
6		1186906	Screw, Hex Head (5/16 x 3")	1	1
7		1143736-NLA	NLA - Bushing, Wedge - Lower Leg	2	1
8		1152558-NLA	NLA - Washer, Plastic	1	1
9		1147513-NLA	NLA - Dual Trim, Caster Bracket	1	1
10		1186907	Nut, Hex Head, Flange (5/16-18)	1	1
11		1186908-NLA	NLA - Washer, Plain (.370 x .868 x .064)	1	1
12		1152559	Washer, Lock, Internal Tooth	1	1
13		1147523	Nut, Acorn	1	2

NOTE: A - Kit includes items 2 - 13.

# Electrical Components (Before 8/17/10)



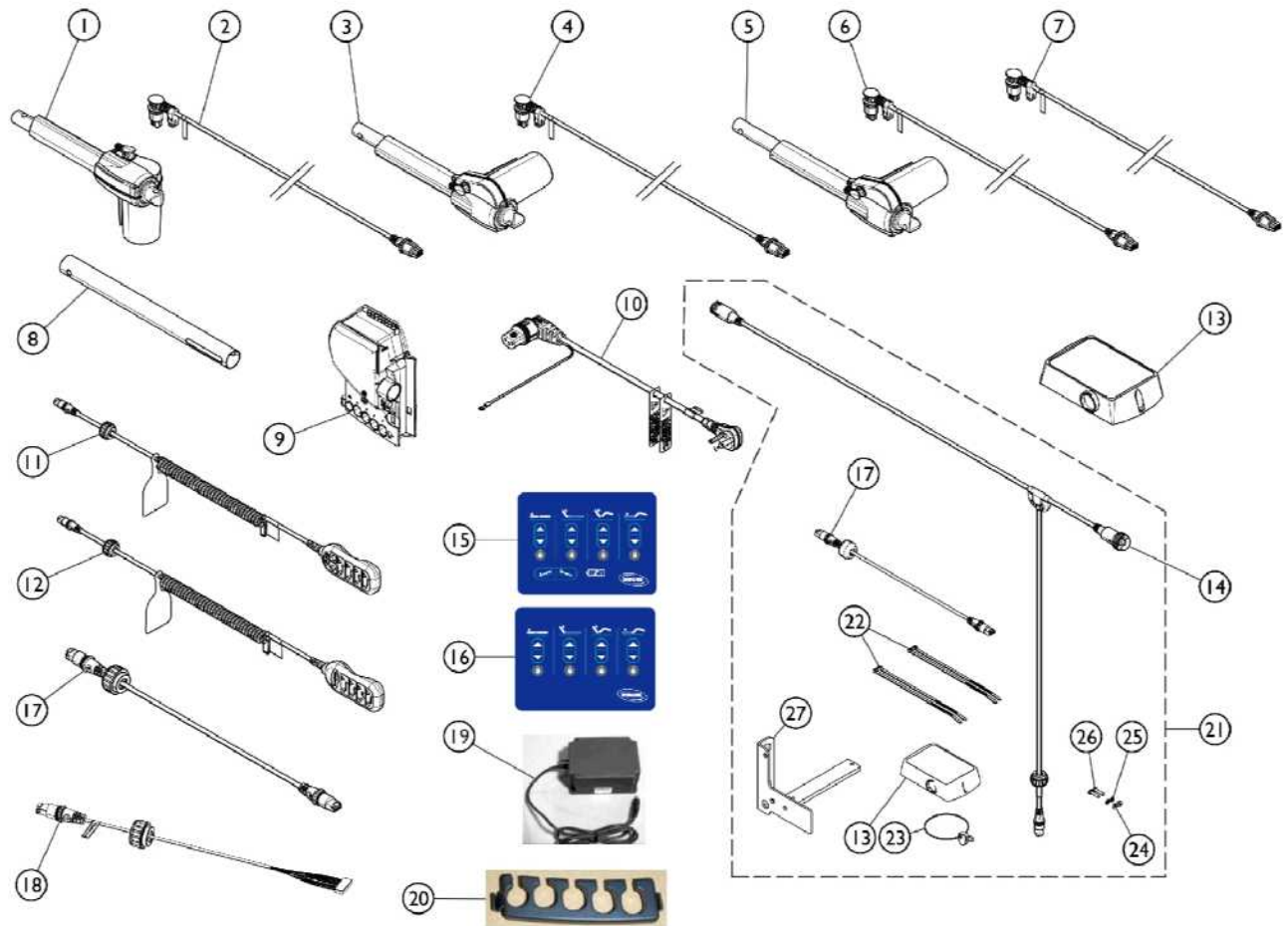
SICC\_108A

## Electrical Components (Before 8/17/10)

Item Number	Note	Part Number	Description	Quantity Per	
				Package	Assembly
1		1159613	Actuator, Head (LA27-U041-01)	1	1
2		1116641	Cable, Head Actuator w/ Blue O-Ring	1	1
3		1147532	Actuator, Foot (LA27-U042-01)	1	1
4		1116642	Cable, Foot Actuator w/ Yellow O-Ring	1	1
5		1149695	Extension Tube, Motor - Foot	1	1
6		1147530	Actuator, Hi/Lo, Analog (LA27-U040-00)	1	2
7		1116640	Cable, Hi-Lo Motor w/ Red O-Ring (Head End)	1	1
8		1147601	Cable, Hi/Lo Motor w/ Black O-Ring (Foot End)	1	1
9		1159600	Control Box, 120 Volts (CB6039/6052)	1	1
10		1165079	Power Cord	1	1
11		1153391	Pendant, 8 Function, Standard (1147580)	1	1
12		1157344	Box, Lockout, Neeco-Tron	1	1
13	A	1158433	Cable, T, w/o Footboard Staff Control (Standard)	1	1
14		1149701	Panel, Control Bed w/o Trend	1	1
15		1149700	Panel, Control Bed w/ Trend	1	1
16		1151720	Cable, Inboard Male - J1	1	1
17		1151721	Cable, Inboard Female - J2	1	1
18		1175549	Battery, On Board Backup	1	1
19		1116655	Lock, Cable	1	1

NOTE: A - Requires (2) T-Cables for Lock Out Box and Membrane.

# Electrical Components (After 8/17/10)



SBP\_043B

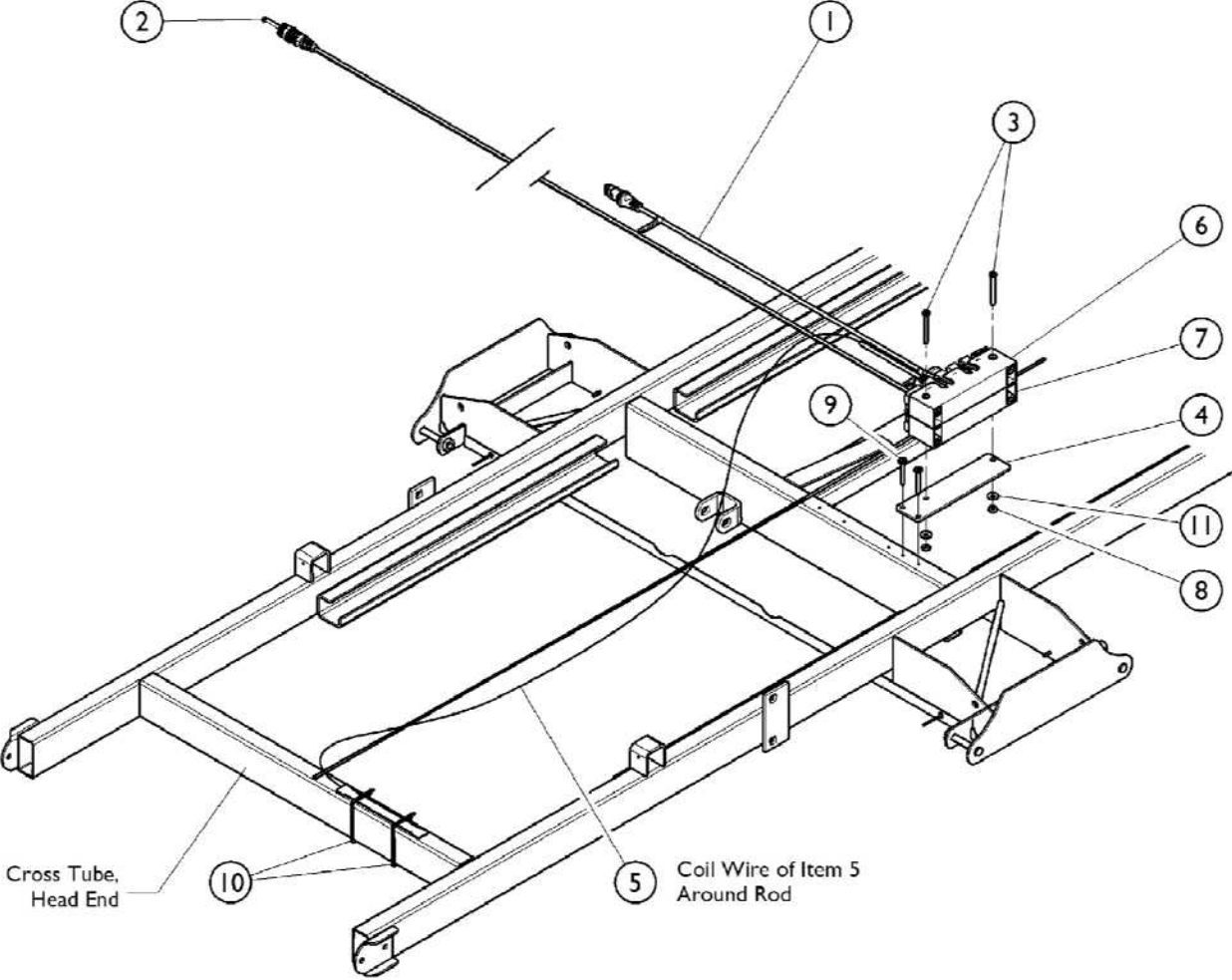
## Electrical Components (After 8/17/10)

Item Number	Note	Part Number	Description	Quantity Per	
				Package	Assembly
1		1159613	Actuator, Head (LA27-U041-01)	1	1
2		1158425	Cable, Motor, Head (Yellow)	1	1
3		1147532	Actuator, Foot (LA27-U042-01)	1	1
4		1158424	Cable, Motor, Foot (Blue)	1	1
5		1158428	Actuator, Hi/Lo, Open Bus (LA27-U084-00)	1	1
6		1158431	Cable, HiLo Motor w/ Red O-Ring (Head End)	1	2
7		1158430	Cable, Motor, HiLo, Foot End (Black)	1	1
8		1149695	Extension Tube, Motor - Foot	1	1
9		1158555	Control Box, Four Function (CB06-U014-00)	1	1
10		1165079	Power Cord	1	1
11		1158553	Pendant, 8 Function, Standard (1158435 - Green O-Ring)	1	1
12		1158554-NLA	NLA - Pendant, 10 Function, Safety Package (1158434 - Green O-Ring)	1	1
13		1158450	Lockout Box	1	1
14	A	1158433	Cable, T, w/o Footboard Staff Control (Standard)	1	1
15		1158440	Panel, Control Bed w/ Trend	1	1
16		1158441	Panel, Control Bed w/o Trend	1	1
17		1158417	Jumper Cable for Lockout Box	1	1
18		1158416	Cable, Inboard Membrane	1	1
19		1186886	Backup, Battery (Optional 171)	1	1
20		1116655	Lock, Cable	1	1
21	B	1158571	Kit, Lockout Box (w/o Option)	1	1
13			Lockout Box	1	1
14			Cable, T, w/o Footboard Staff Control (Standard)	1	1
17			Jumper Cable for Lockout Box	1	1
22			Wrap, Tie (8")	1	4
23			Latch, Bed End, 1/4 Turn w/ Ring	1	1
24			Nut, Hex (8-32)	1	2
25			Washer, Lock (#10)	1	2
26			Screw, Pan Head, Phillips (8-32 x 3/4 PHMS-8-32-34)	1	2
27			Bracket, Bed End, Lockout Box	1	1

NOTE: A - Requires (2) T-Cables for Lock Out Box and Membrane.  
B - Includes item 13, 14, 17, and 22 - 27.



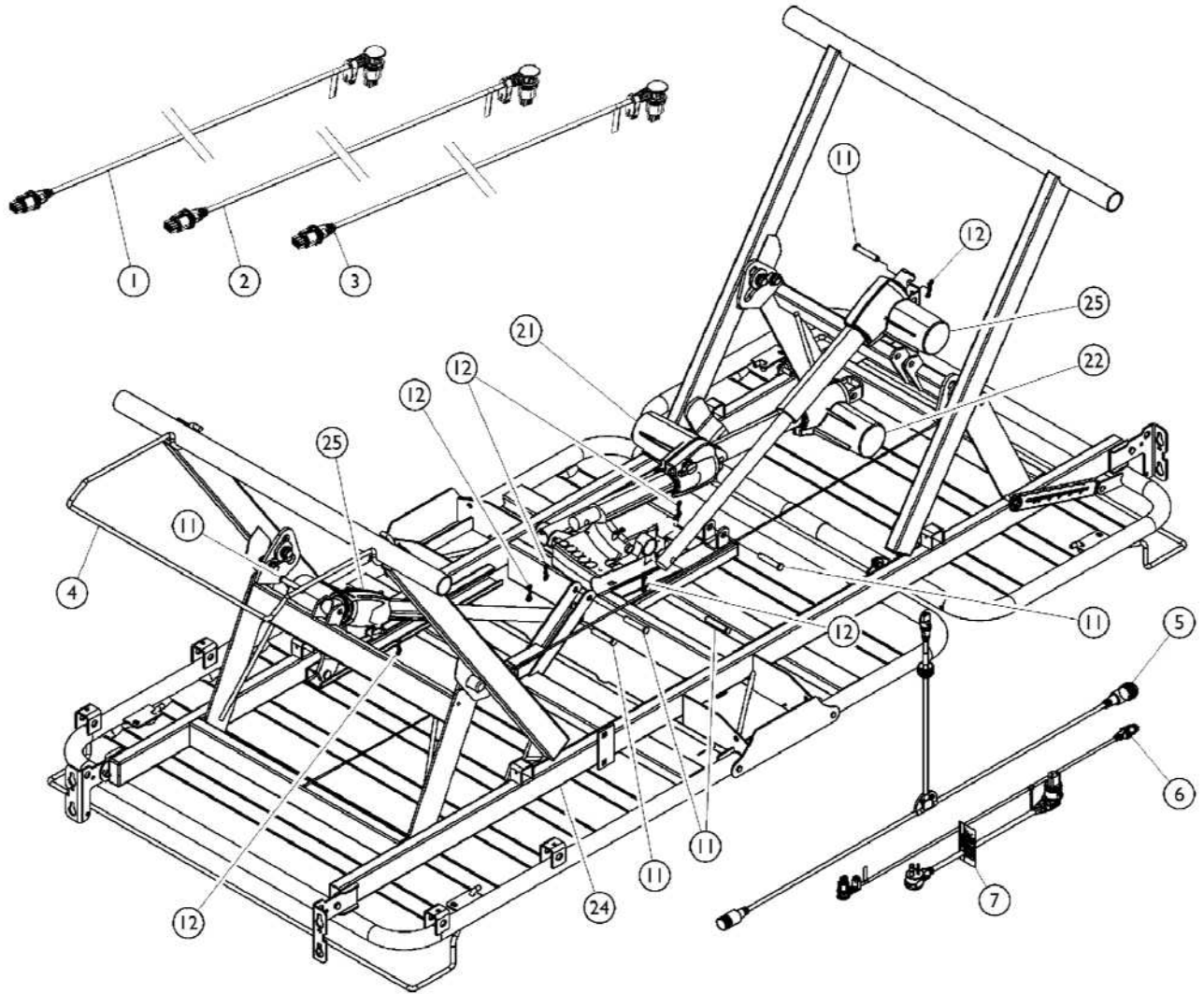
# Safety Package Electronics (After 8/17/10) -NLA



## Safety Package Electronics (After 8/17/10) -NLA

Item Number	Note	Part Number	Description	Quantity Per	
				Package	Assembly
1		1158415-NLA	Cable, Nurse Call	1	1
2		1158418-NLA	Cable, Extension	1	1
3		1158532-NLA	Screw, Phillips Pan Head Machine (8-32 x 2-1/2")	1	2
4		1158534-NLA	Plate, Open Bus Mounting	1	1
5		1165073-NLA	Cable, Underbed Light w/ LED	1	1
6		1165076-NLA	Modular Junction Box Assembly	1	1
7		1165077-NLA	Modular Junction Box Assembly, Nurse Call	1	1
8		NUT832-NLA	Nut, Hex (8-32)	1	1
9		TEKSCRHX10-3 4-NLA	Self Tapping Screw (#10-34)	1	2
10		1186883	Wrap, Tie (8")	1	2
11		WSR10L-NLA	Washer, Lock (#10)	1	2

# Wire Assembly

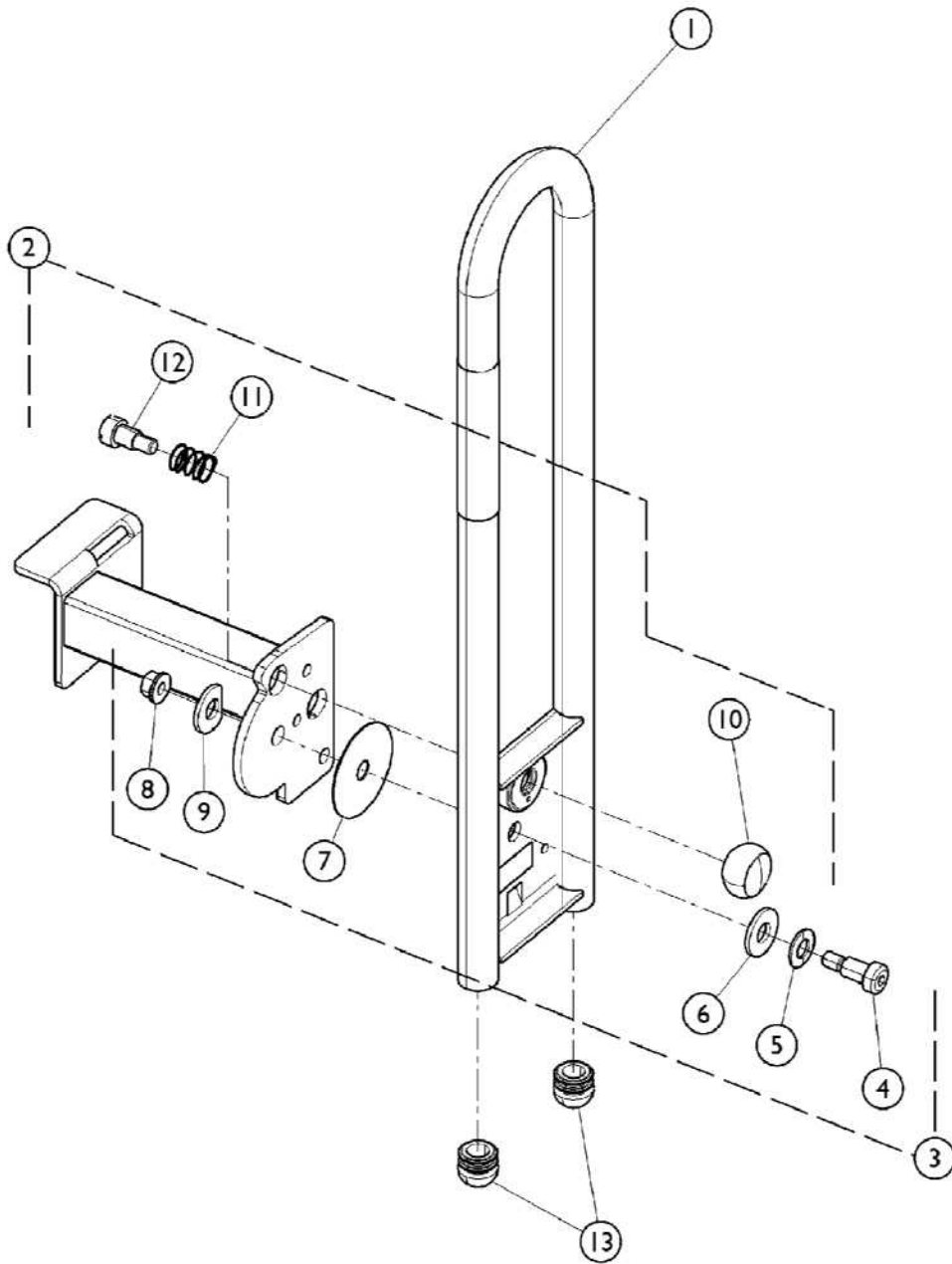


## Wire Assembly

Item Number	Note	Part Number	Description	Quantity Per	
				Package	Assembly
1	B	1116640	Cable, Hi-Lo Motor w/ Red O-Ring (Head End)	1	1
1	C	1158431	Cable, HiLo Motor w/ Red O-Ring (Head End)	1	1
2	B	1116641	Cable, Head Actuator w/ Blue O-Ring	1	1
2	C	1158424	Cable, Motor, Foot (Blue)	1	1
3	B	1116642	Cable, Foot Actuator w/ Yellow O-Ring	1	1
3	C	1158425	Cable, Motor, Head (Yellow)	1	1
4		IHCSWBS	Wireform, Standard - 80" (12-7/16")	1	1
5	B,C	1158433	Cable, T, w/o Footboard Staff Control (Standard)	1	1
6	B	1147601	Cable, Hi/Lo Motor w/ Black O-Ring (Foot End)	1	1
6	C	1158431	Cable, HiLo Motor w/ Red O-Ring (Head End)	1	1
7	B,C	1165079	Power Cord	1	1
11		1186864	Clevis Pin (3/8 x 2" L)	1	6
12		PINBOW38-NLA	NLA - Cotter Pin, Bowtie (3/8")	1	6
21	B,C	1159613	Actuator, Head (LA27-U041-01)	1	1
22	B,C	1147532	Actuator, Foot (LA27-U042-01)	1	1
24		1149706	NLA - Frame, Bed	1	1
25	B	1147530	Actuator, Hi/Lo, Analog (LA27-U040-00)	1	1
25	C	1158428	Actuator, Hi/Lo, Open Bus (LA27-U084-00)	1	1
	D	1186883	Wrap, Tie (8")	1	12

NOTE: B - Used on beds manufactured before 8/17/2010.  
 C - Used on beds manufactured after 8/17/2010.  
 D - Not shown in illustration.

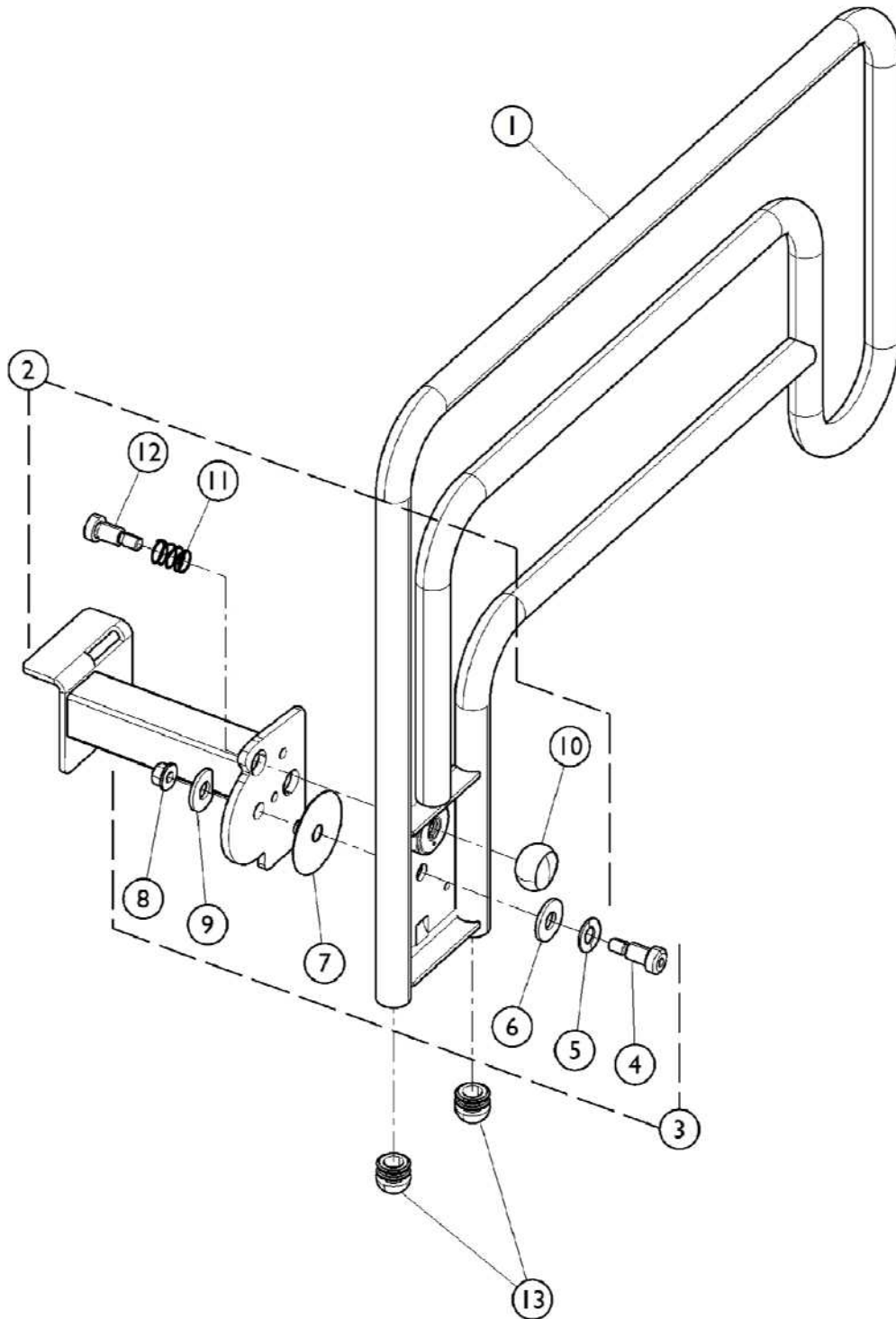
# Assist Bar



## Assist Bar

Item Number	Note	Part Number	Description	Quantity Per	
				Package	Assembly
1	A	IHCSBAAS-QSP	Assist Bar Assembly (36")	1	1
1	A	IHCSRAAS-39	Assist Bar Assembly (39")	1	1
1	A	IHCSRAAS-42	Assist Bar Assembly (42")	1	1
2	B	1189259	Kit, Knob - Ball	1	1
10			Knob, Black Ball	1	1
11			Spring, Compression	1	1
12			Bolt, Shoulder, Socket Head (1/2-12)	1	1
3	C	1189260	Kit, Assist Rail Mounting	1	1
4			Bolt, Shoulder, Socket (1/2-34)	1	1
5			Washer, Bevel	1	1
6			Washer, Flat	1	1
7			Washer, Nylon (1/2" x 2-1/2")	1	1
8			Nut, Flanged (3/8)	1	1
9			Washer, Flat Edge	1	1
11		1165067	Package, Assist Spring	10	1
13		1165068	Package, End Plug	10	1
NOTE: A - Includes Right and Left Assist Bars. B - Includes items 10, 11, and 12. C - Includes items 4 - 9.					

# Assist Rail

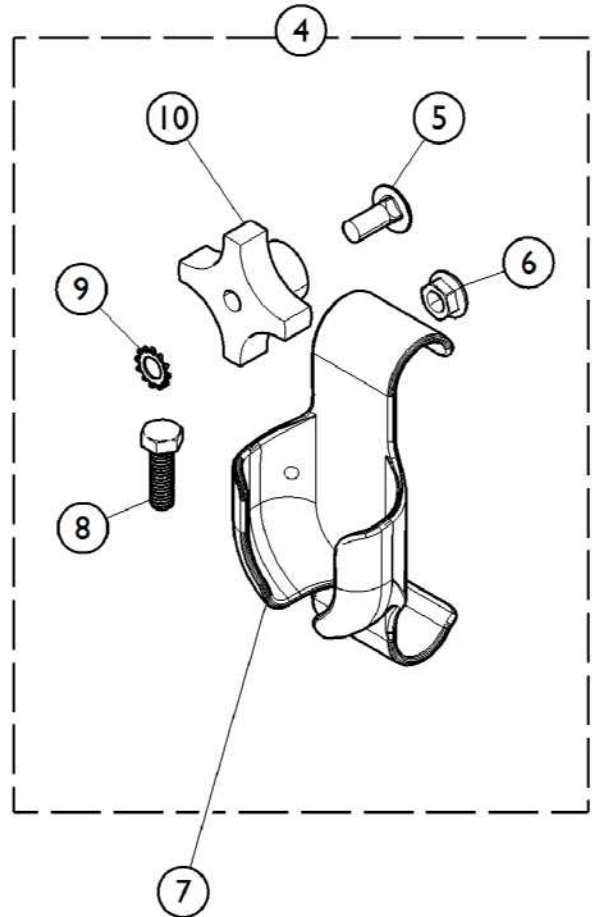
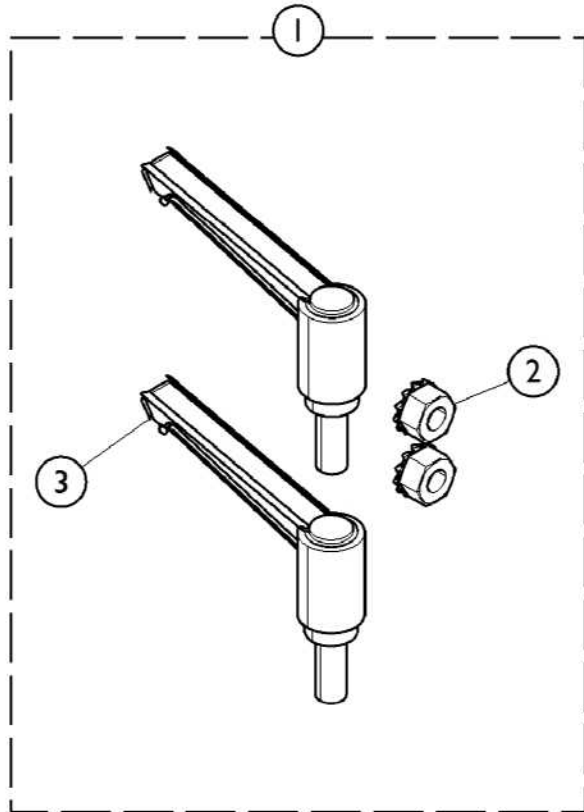


## Assist Rail

Item Number	Note	Part Number	Description	Quantity Per	
				Package	Assembly
1	A	IHCSRLAS-QSP	Assist Rail Assembly (36") (Pair)	1	1
1	A	IHCSRLAS-39	Assist Rail Assembly (39") (Pair)	1	1
1	A	IHCSRLAS-42	Assist Rail Assembly (42") (Pair)	1	1
2	B	1189259	Kit, Knob - Ball	1	1
10			Knob, Black Ball	1	1
11			Spring, Compression	1	1
12			Bolt, Shoulder, Socket Head (1/2-12)	1	1
3	C	1189260	Kit, Assist Rail Mounting	1	1
4			Bolt, Shoulder, Socket (1/2-34)	1	1
5			Washer, Bevel	1	1
6			Washer, Flat	1	1
7			Washer, Nylon (1/2" x 2-1/2")	1	1
8			Nut, Flanged (3/8)	1	1
9			Washer, Flat Edge	1	1
11		1165067	Package, Assist Spring	10	2
13		1165068	Package, End Plug	10	2
NOTE: A - Includes Right and Left Assist Rails. B - Includes items 10, 11, and 12. C - Includes items 4 - 9.					



# Assist Bar and Rail Hardware

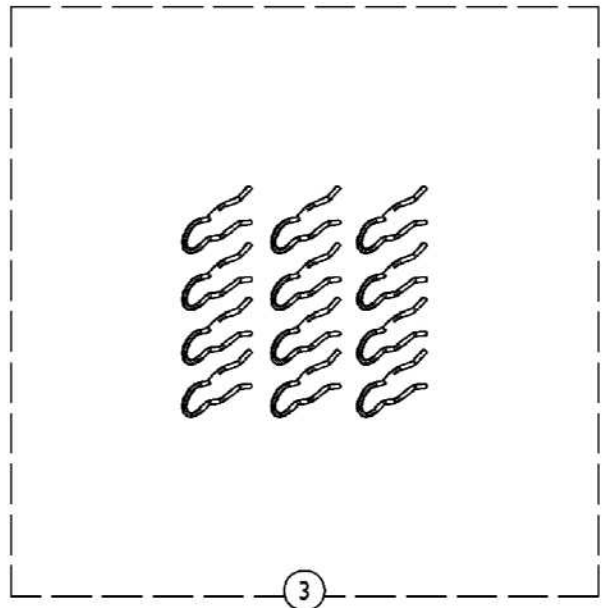
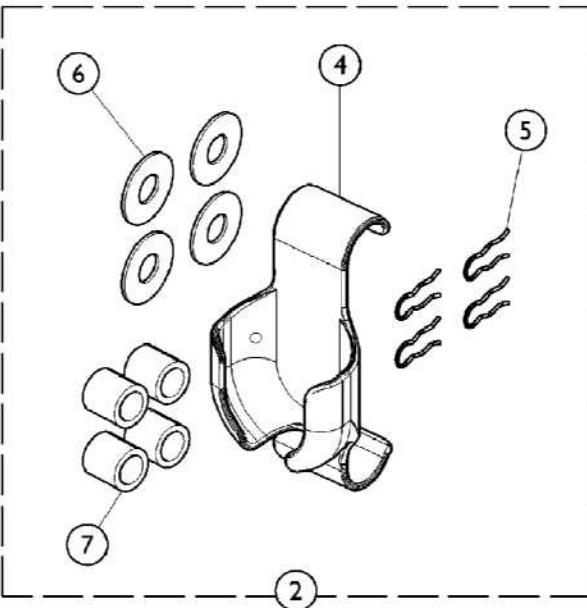
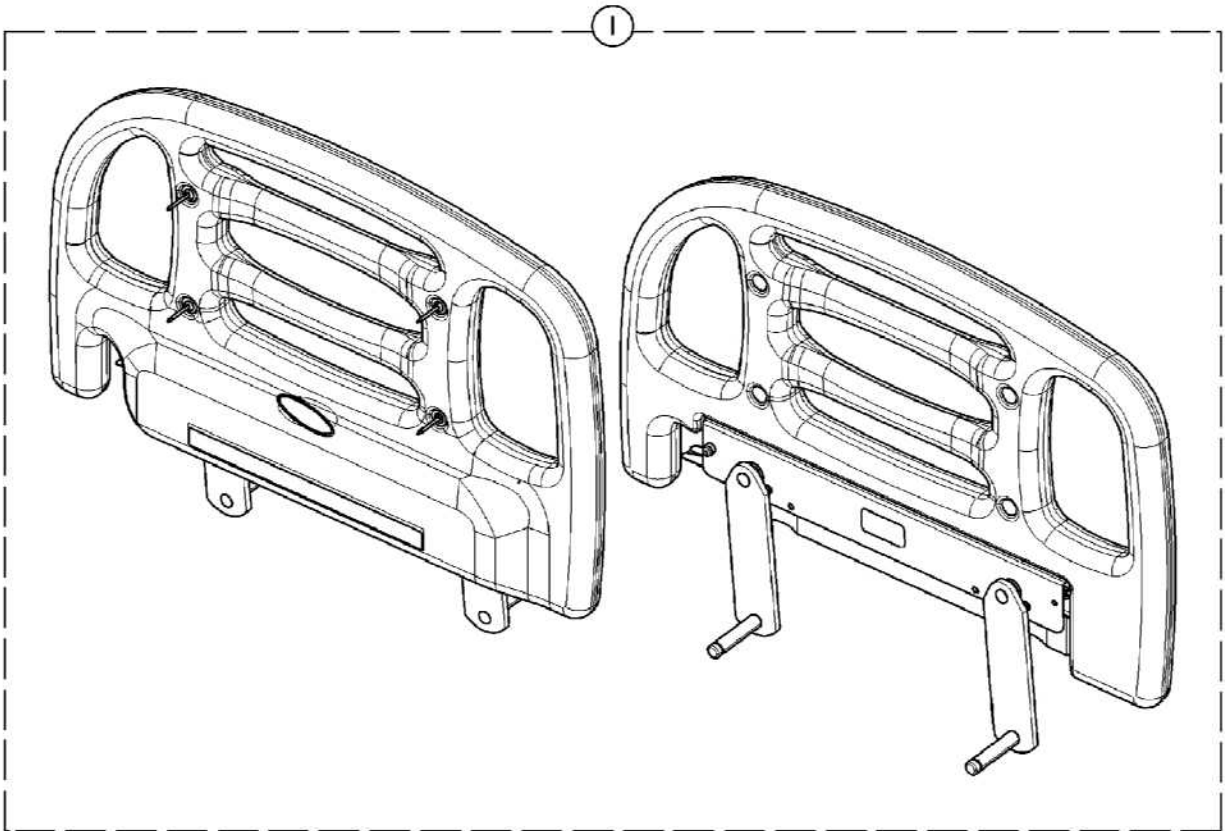


## Assist Bar and Rail Hardware

Item Number	Note	Part Number	Description	Quantity Per	
				Package	Assembly
1	A	1153370-NLA	Kit, Assist Bar/Rail Mounting Hardware	1	1
2			NLA - Nut, Hex Keps (5/16-18)	2	1
3			NLA - Handle, Clamping	2	1
4	B	1159610	Kit, Assist Bar Mounting Hardware	1	1
5			Screw, Round Head, Square Neck (5/16-18 x 3/4")	1	2
6			Nut, Hex Head, Flange (5/16-18)	1	2
7			Holster, Pendant	1	1
8			Bolt, Hex Head (5/16-18 x 1")	1	2
9			Lock Washer, External Tooth (5/16)	1	2
10			Knob, Phenolic (5/16-18)	1	2
			Loop (1" x 3")	1	1
			Label, Caution, Operation, AB French	1	2
			Instruction Sheet, Assist Bar	1	1
4	B	1153764	Kit, Assist Rail Mounting Hardware	1	1
5			Screw, Round Head, Square Neck (5/16-18 x 3/4")	1	2
6			Nut, Hex Head, Flange (5/16-18)	1	2
7			Holster, Pendant	1	1
8			Bolt, Hex Head (5/16-18 x 1")	1	2
9			Lock Washer, External Tooth (5/16)	1	2
10			Knob, Phenolic (5/16-18)	1	2
			Instruction Sheet, Assist Rail	1	1
7		1186847	Holster, Pendant	1	1

NOTE: A - Used prior to September 9, 2009.  
B - Used as of September 9, 2009.

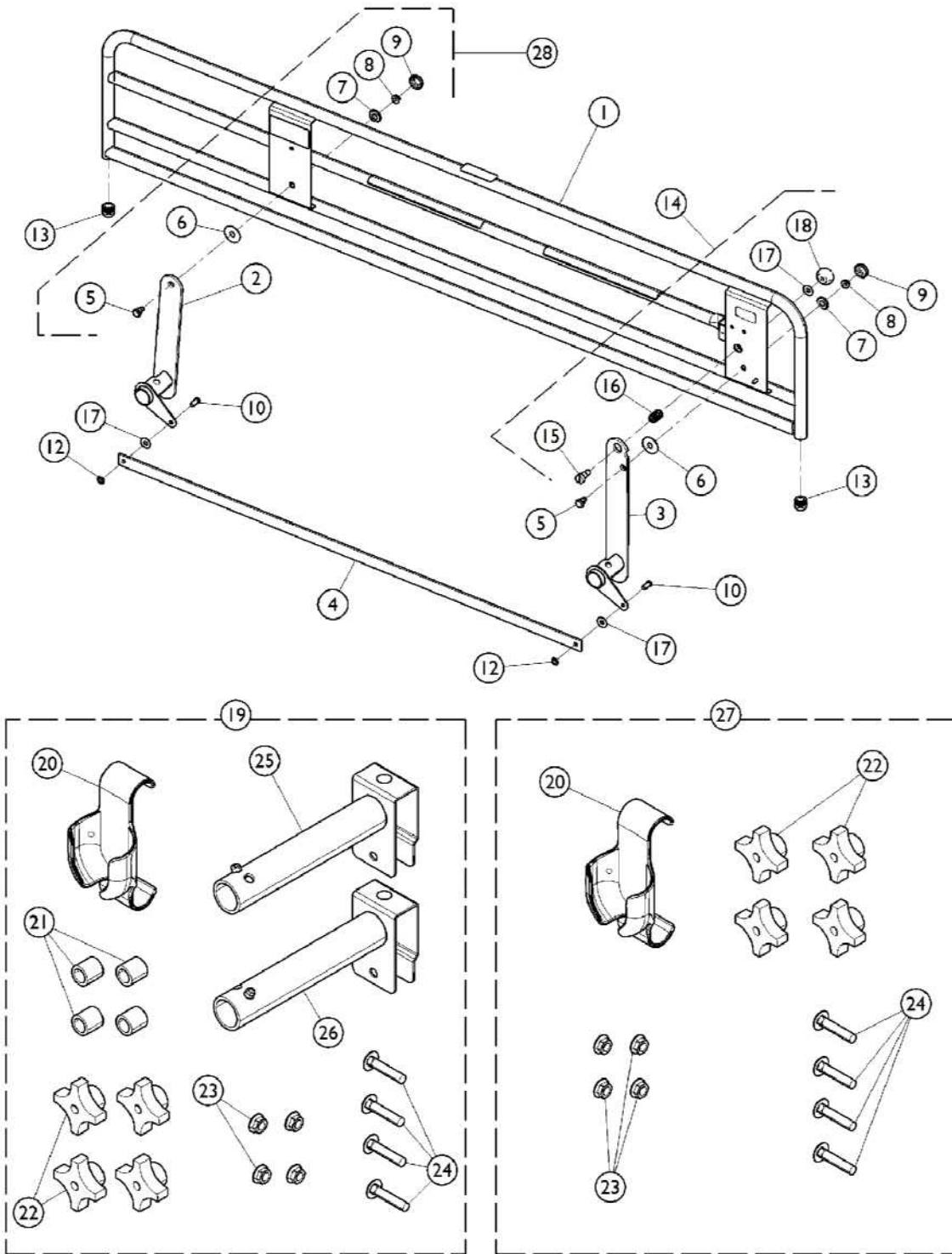
# Positional Devices



## Positional Devices

Item Number	Note	Part Number	Description	Quantity Per	
				Package	Assembly
1	A	IHCSTSPD-QSP	Head Positioning Rails (Pair)	1	1
1		1158933	Head Section, Bed (36" W)	1	1
2	B	1161869	Kit, Head Positioning Hardware	1	1
4			Holster, Pendant	1	1
5			Pin, Retaining	4	1
6			Washer, Flat (1.250" x .516" x .062)	4	1
7			Bushing, Glide - White	4	1
			Instruction Sheet, Thinksoft PD	1	1
			Label, Warning, Entrapment and Crush	2	1
3		1165069	Package, Retaining Clip	12	1
4		1186847	Holster, Pendant	1	1
NOTE: A - For beds built prior to February 5, 2009, you must also order 1158933. B - Includes Pendant Holster, Bushing, Washer, and Retaining Pin.					

# Partial Rail

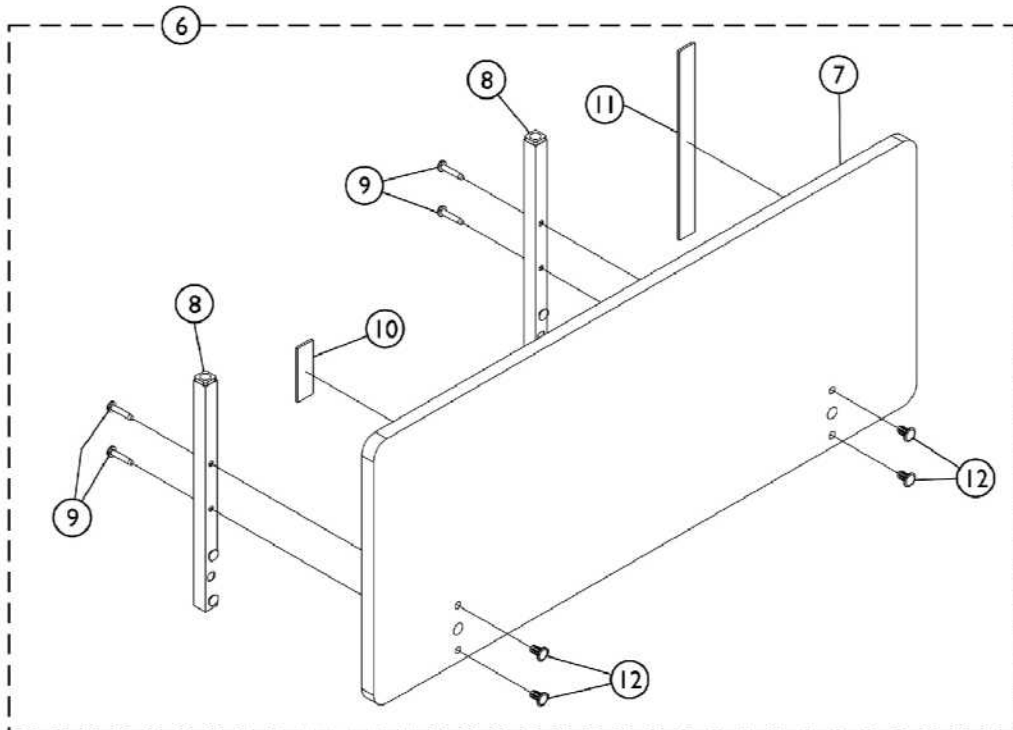
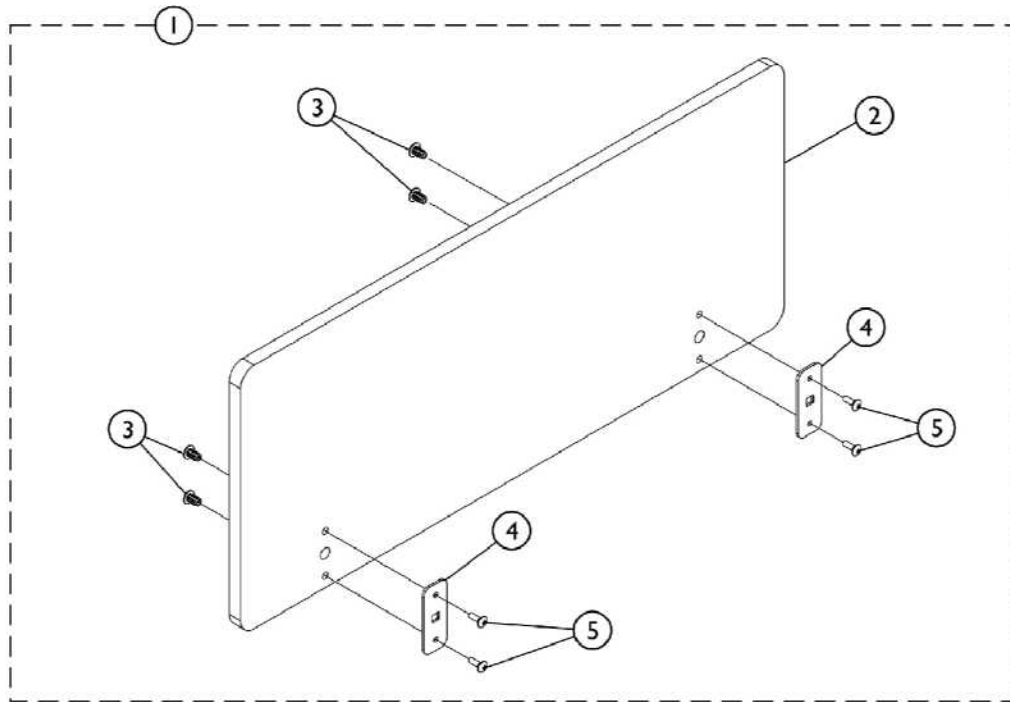


## Partial Rail

Item Number	Note	Part Number	Description	Quantity Per	
				Package	Assembly
1		IHCSRLPA	68" Partial Rail Assembly (Pair)	1	1
2		1153590-NLA	NLA - Arm, Rail, Head End - Left	1	1
2		1153591-NLA	NLA - Arm, Rail, Head End - Right	1	1
3		1153588-NLA	NLA - Arm, Rail, Foot End - Left	1	1
3		1153589-NLA	NLA - Arm, Rail, Foot End - Right	1	1
4		1153595-NLA	NLA - Bar, Linkage - Partial Rail	1	1
28	A	1189261	Kit, Rail Mounting Hardware	1	1
5			Pin, Rail, Plated (1/2 x 7/8)	1	4
6			Washer, Nylon (.515 x 1.46 x .050)	1	2
7			Washer, Retaining (1/2")	1	4
8			Locknut, Flanged (5/16-18)	1	2
9			Cap, Plastic (RH-20)	1	4
10		PIN51634-NLA	NLA - Pin, Clevis (5/16" x 3/4")	1	2
11		WSR3834116N-NLA	NLA - Washer, Nylon (3/8 x 3/4 x 1/16")	1	2
12		NUT516PUSH-NLA	NLA - Nut, Push (5/16-18)	1	2
13		1133097	NLA - Plug Button, Black (1")	1	2
14		1189259	Kit, Knob - Ball	1	1
15			Bolt, Shoulder, Socket Head (1/2-12)	1	1
16			Spring, Compression	1	1
18			Knob, Black Ball	1	1
16		1165067	Package, Assist Spring	1	1
19		1153610	Kit, Rail Hardware	1	1
20			Holster, Pendant	1	1
21			Bushing, Glide - White	4	1
22			Knob, Phenolic (5/16-18)	4	1
23			Nut, Hex Head, Flange (5/16-18)	4	1
24			Screw, Round Head Square Neck (5/16-18 x 1-1/2")	4	1
25			Bracket, Mounting, Rail - Right	1	1
26			Bracket, Mounting, Rail - Left	1	1
			Instruction Sheet, Rail Installation	1	1
			Guide, Bed Rail Entrapment Risk Notification	1	1
20		1186847	Holster, Pendant	1	1
27		1153768	Kit, Rail Hardware w/o Mounting Rails	1	1
20			Holster, Pendant	1	1
22			Knob, Phenolic (5/16-18)	4	1
23			Nut, Hex Head, Flange (5/16-18)	4	1
24			Screw, Round Head Square Neck (5/16-18 x 1-1/2")	4	1
			Instruction Sheet, Rail Installation	1	1
			Guide, Bed Rail Entrapment Risk Notification	1	1

NOTE: A - Kit includes items 5 - 9. Includes hardware for both Head End and Foot End Arm Rails.

# Headboard and Footboard



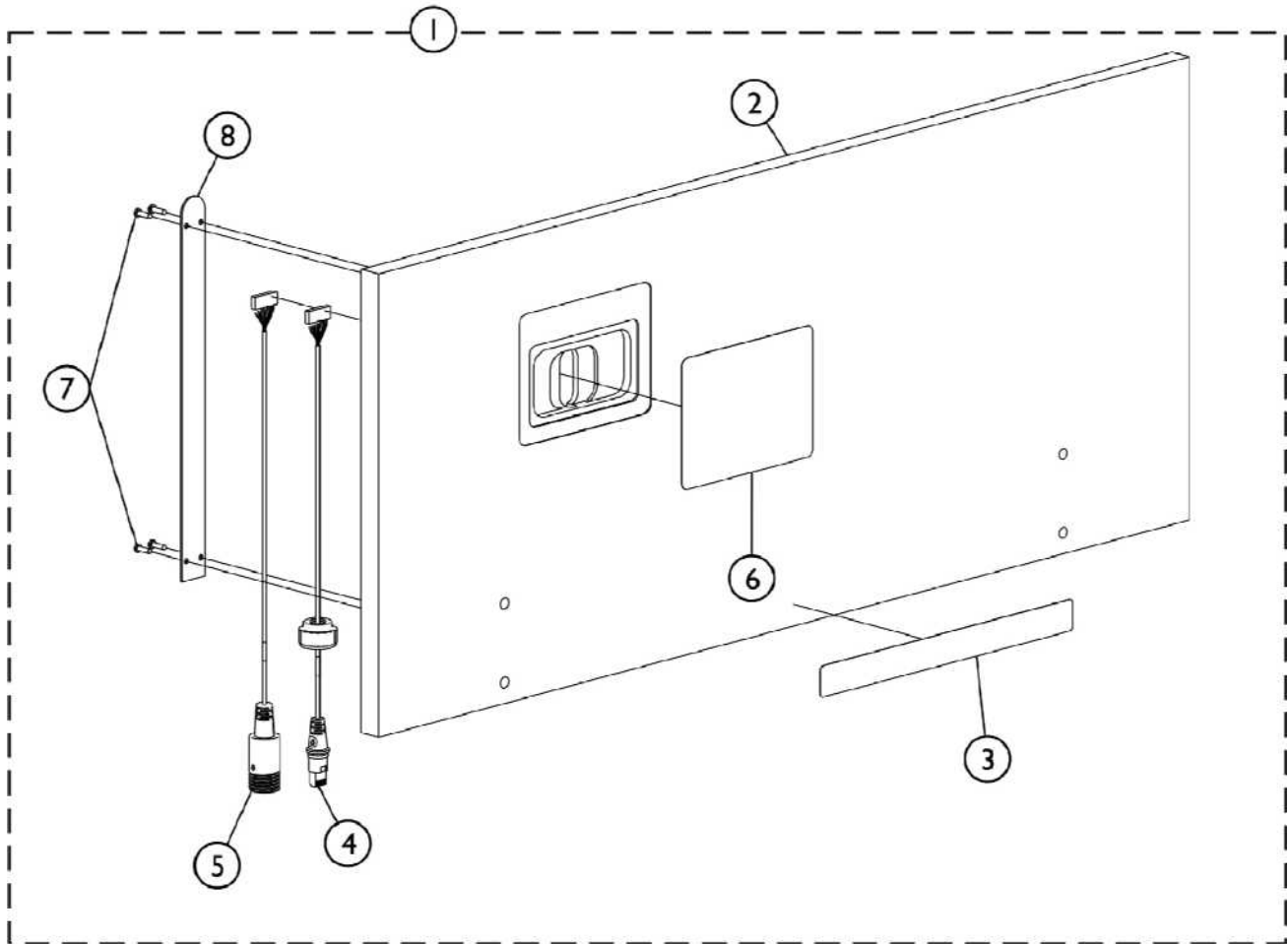
SICC\_105A

## Headboard and Footboard

Item Number	Note	Part Number	Description	Quantity Per	
				Package	Assembly
1	A	1154448	Footboard Assembly, CS Service	1	1
2			Footboard, CS Service	1	1
3			Insert, Nut (1/4-20 x 3/4")	1	4
4			Bracket, Foot Board, Post	1	2
5			Screw, Shoulder, Torx® TR HD (1/4-20 x 3/4)	1	4
6	B	1154447	Headboard Assembly, CS Service	1	1
7			Footboard, CS Service	1	1
8			Post, Head Board	1	2
9			Screw, Machine, Pan Head (14-20 x 1-1/2")	1	4
10			Hook, PNDNT-V-Hook (1 x 3")	1	1
11			Strap, Cord Power PNDNT-V-Cord	1	1
12			Insert, Nut (1/4-20 x 3/4")	1	4
NOTE: A - Includes items 2-5 B - Includes items 7-12					
For Beds built prior to September 5th, 2008, Contact Customer Service.					



# Footboard, ACP with Trendelenburg Feature, Analog Service



SICC\_107A

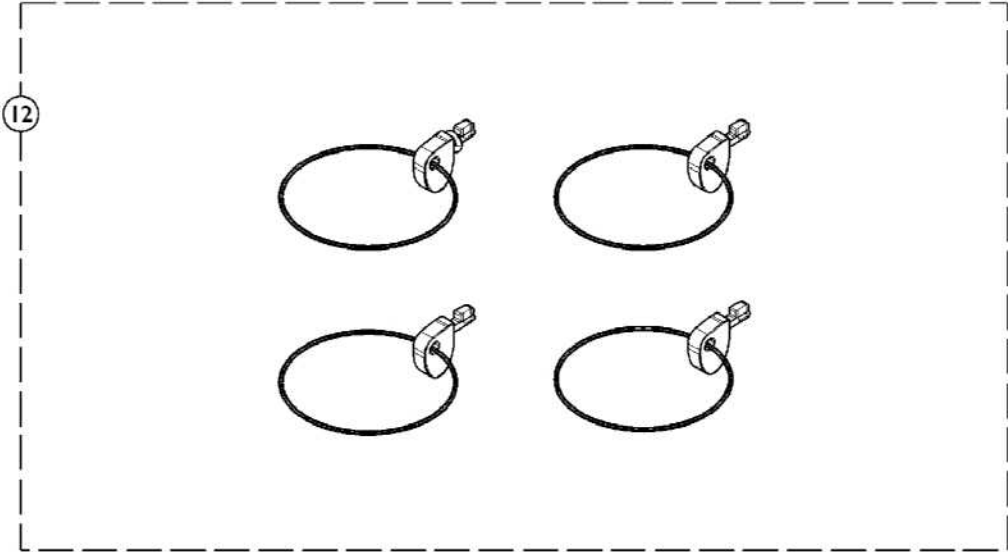
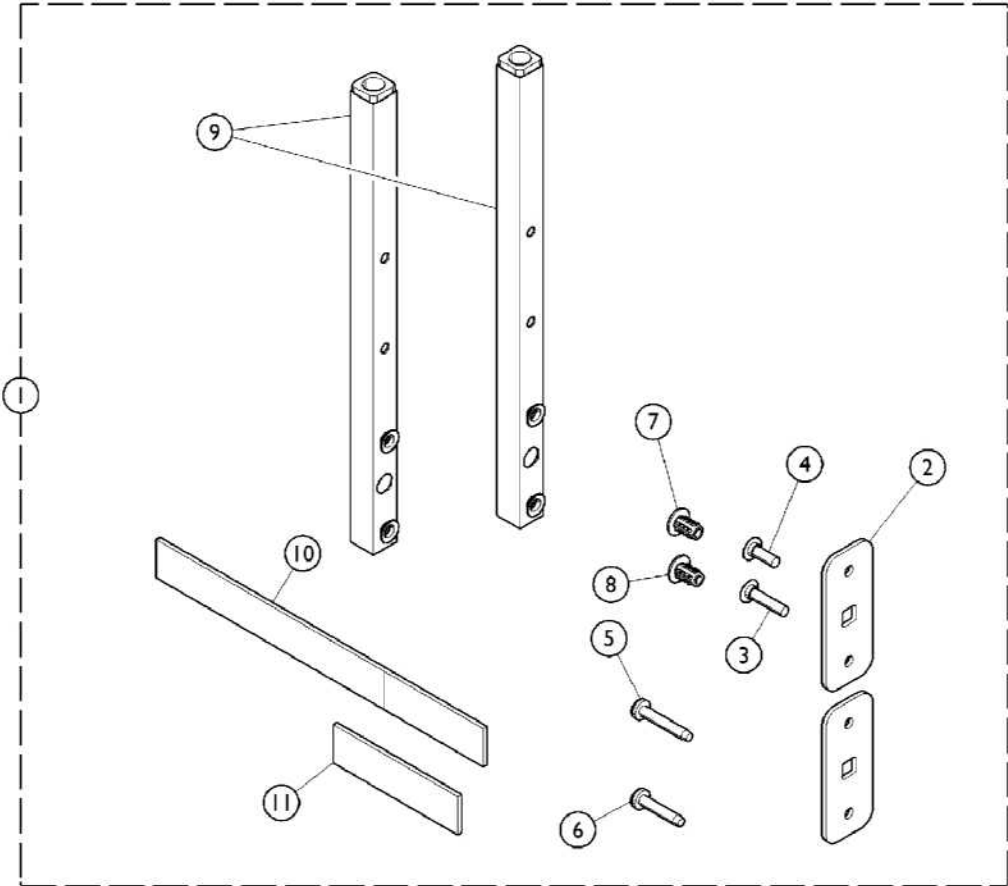
## Footboard, ACP with Trendelenburg Feature, Analog Service

Item Number	Note	Part Number	Description	Quantity Per	
				Package	Assembly
1	A,B	1156545	Footboard Assembly, ACP w/ Trend, Analog Service	1	1
2			Footboard w/ ACP	1	1
3			Label, Caution Trendelenburg	1	1
4			Cable, Inboard Male - J1	1	1
5			Cable, Inboard Female - J2	1	1
6			Panel, Control Bed w/ Trend	1	1
7			Screw, Pan Head w/ Square Socket (#6-18 x 39/64")	1	4
8			Plate, Cover ACP	1	1

NOTE: A - Includes items 2-8  
 B - For Analog Electronics before 8/17/10.

For Beds built prior to September 5th, 2008, Contact Customer Service.

# Headboard and Footboard Hardware

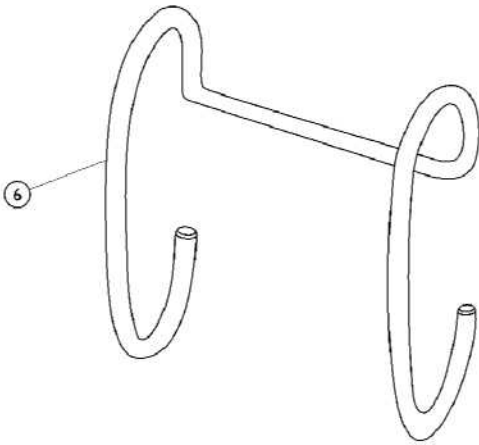
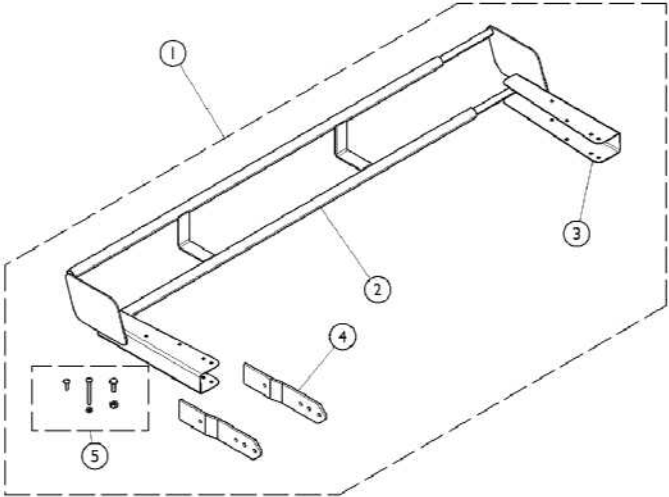


## Headboard and Footboard Hardware

Item Number	Note	Part Number	Description	Quantity Per	
				Package	Assembly
1	A	1159650	Kit, Head/Foot Board Mounting Hardware	1	1
2			Bracket, Foot Board, Post	2	1
3			Screw, Shoulder, Torx® TR HD (1/4-20 x 1-1/8)	4	1
4			Screw, Shoulder, Torx® TR HD (1/4-20 x 3/4)	4	1
5			Screw, Machine, Pan Head (14-20 x 1-1/2")	4	1
6			Screw, Drive, Torx® (1/4-20 x 1-1/4")	4	1
7			NLA - Nut, Insert, Zinc Coated	8	1
8			NLA - Nut, Insert, Bronze Coated	8	1
9			Post, Head Board	2	1
10			Strap, Cord, Power	1	1
11			Velcro Hoops	1	1
			Instruction Sheet, Headboard and Footboard	1	1
			Bag, Poly	1	1
12		1156522	Bed End Bracket Key	4	1

NOTE: A - Kit includes items 2 - 11.

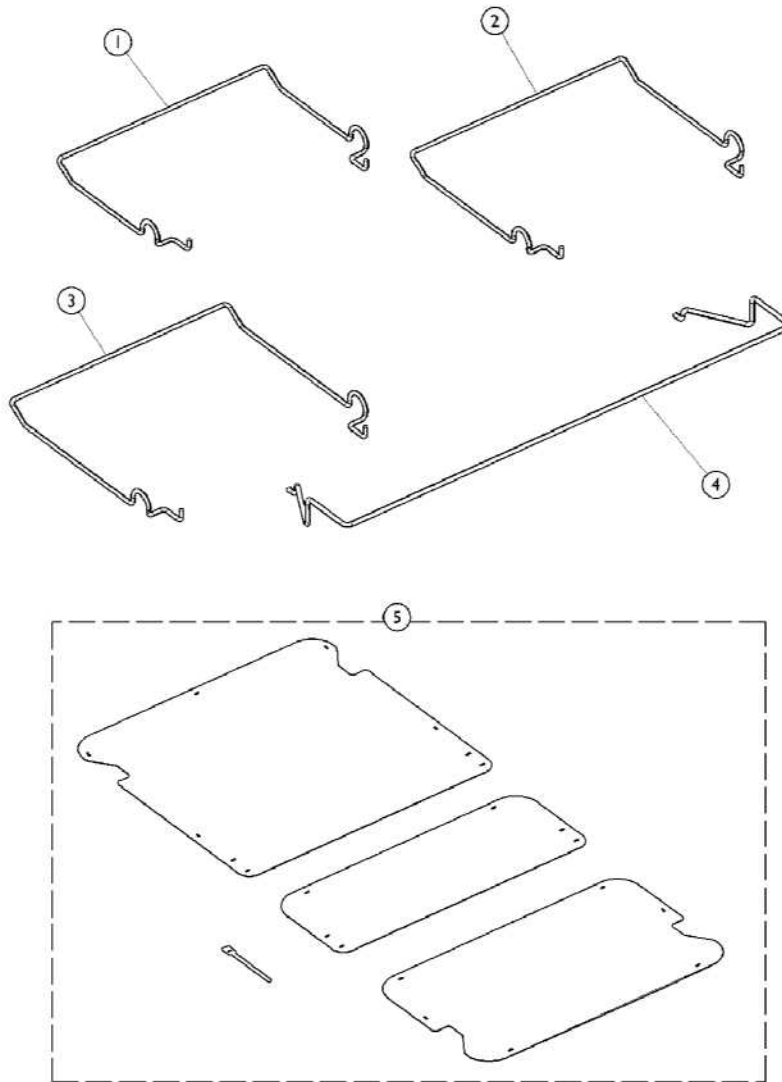
# Miscellaneous Accessories - Extensions and Hangers



Item Number	Note	Part Number	Description	Quantity Per	
				Package	Assembly
1	A	IHCSBEK	Four Inch Extension Kit	1	1
6		IHCSDB-NLA	Drainage Bag Holder	1	1

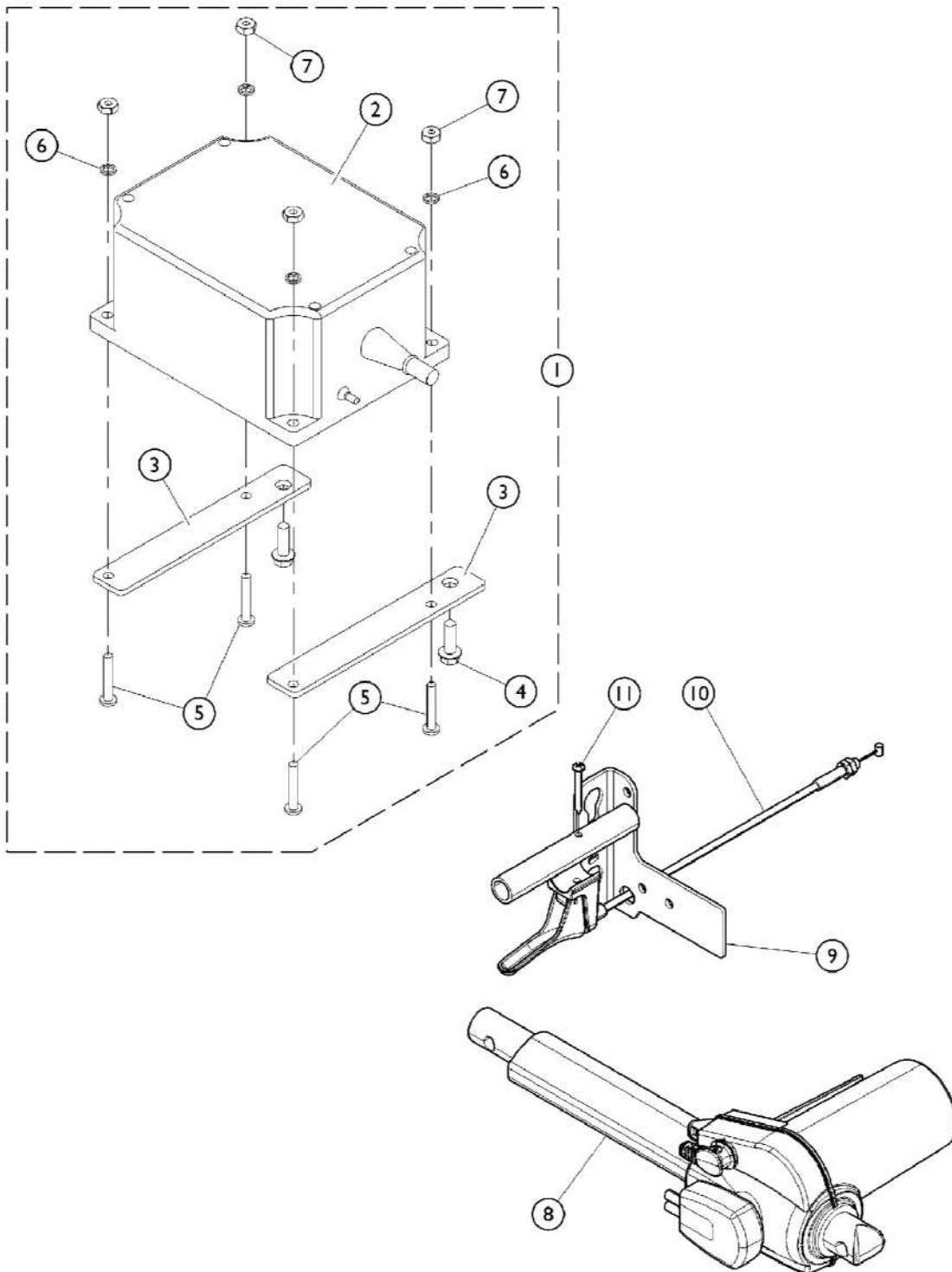
NOTE: A - Kit includes items 2 - 5.

## Miscellaneous Options - Wireframes and Pan Decks



Item Number	Note	Part Number	Description	Quantity Per	
				Package	Assembly
1		IHCSWBS	Wireform, Standard - 80" (12-7/16")	1	1
2		IHCSWBL	Wireform, Trapeze - 80" (14-7/16")	1	1
3		1157339-NLA	Wireform, Custom - 80" (15-15/16")	1	1
4		1152549	Keeper, Mattress (36" W)	1	1
4		1159576	Keeper, Mattress (42" W)	1	1
4		1159606	Keeper, Mattress (39" W)	1	1
5		1153380-NLA	Aftermarket Pan Deck Kit	1	1

# Miscellaneous Electronics - Battery and Actuators



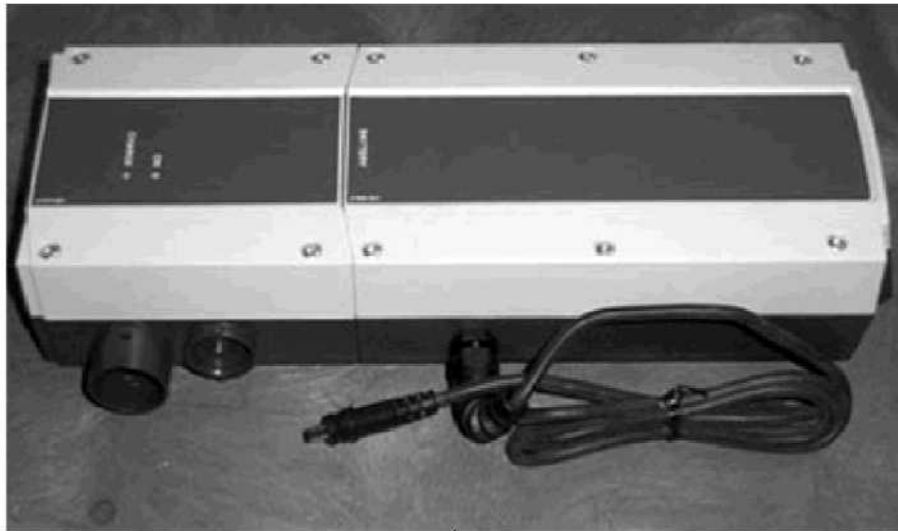
## Miscellaneous Electronics - Battery and Actuators

Item Number	Note	Part Number	Description	Quantity Per	
				Package	Assembly
1	A	1175549	Battery, On Board Backup	1	1
8		1147571-NLA	Actuator, Head w/ CPR Quick Release	1	1
9		1149710-NLA	Bracket, Bed End - Foot (CPR Release Beds)	1	1
10		1147271-NLA	Cable, T, w/ Footboard Staff Control (Long)	1	1
11		1147239-NLA	Screw, CPR Release	1	1

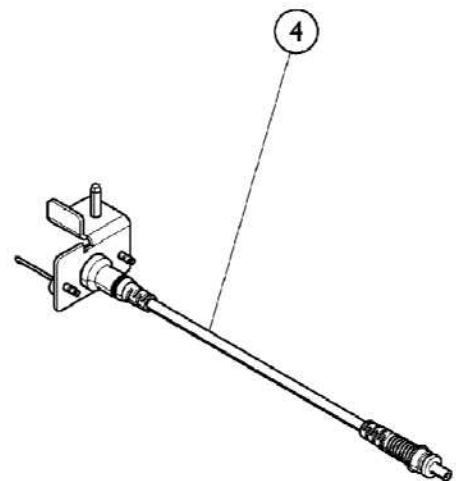
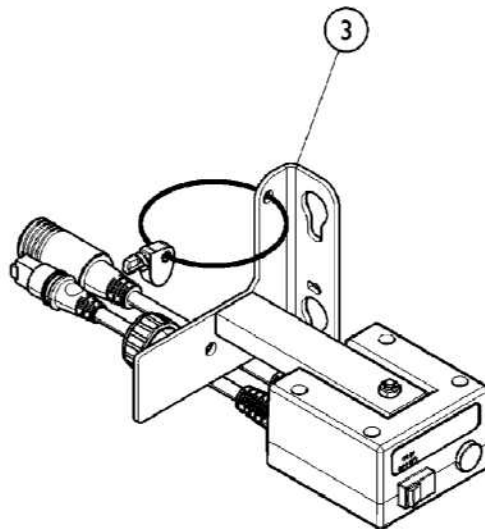
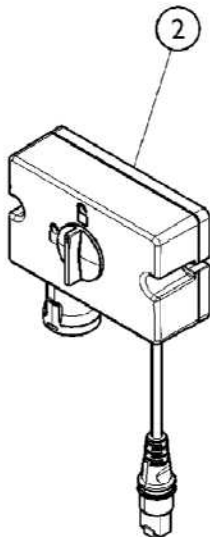
NOTE: A - Kit also includes items 2 - 7.



# Miscellaneous Electronics - Backups and Controls



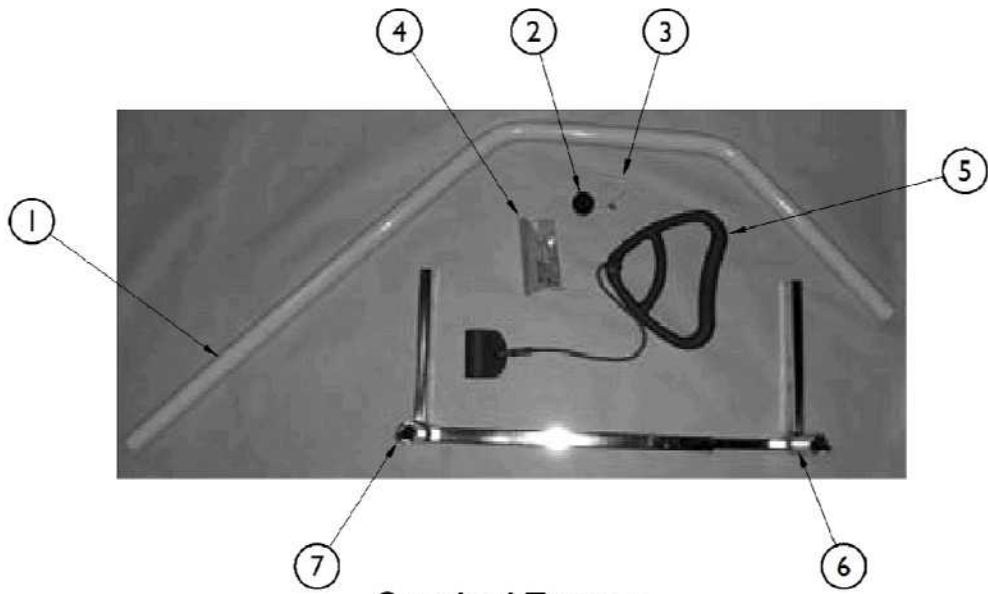
1



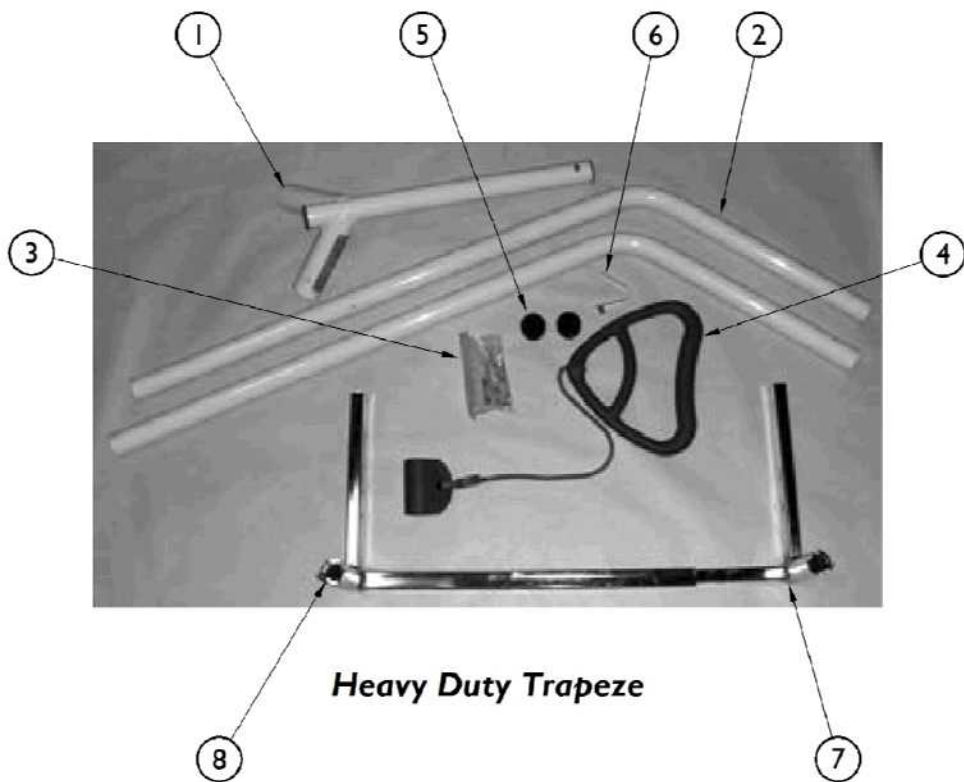
## Miscellaneous Electronics - Backups and Controls

Item Number	Note	Part Number	Description	Quantity Per	
				Package	Assembly
2	A	1147270	NLA - Box, Lockout, Control, Attendant	1	1
3	B	1157344	Box, Lockout, Neeco-Tron	1	1
4		1175550	CS Battery Cable Port	1	1
NOTE: A - Used prior to July 2009. B - Used as of July 2009.					
NOTE: Item #1 is currently not available at this time.					

# Trapeze



**Standard Trapeze**

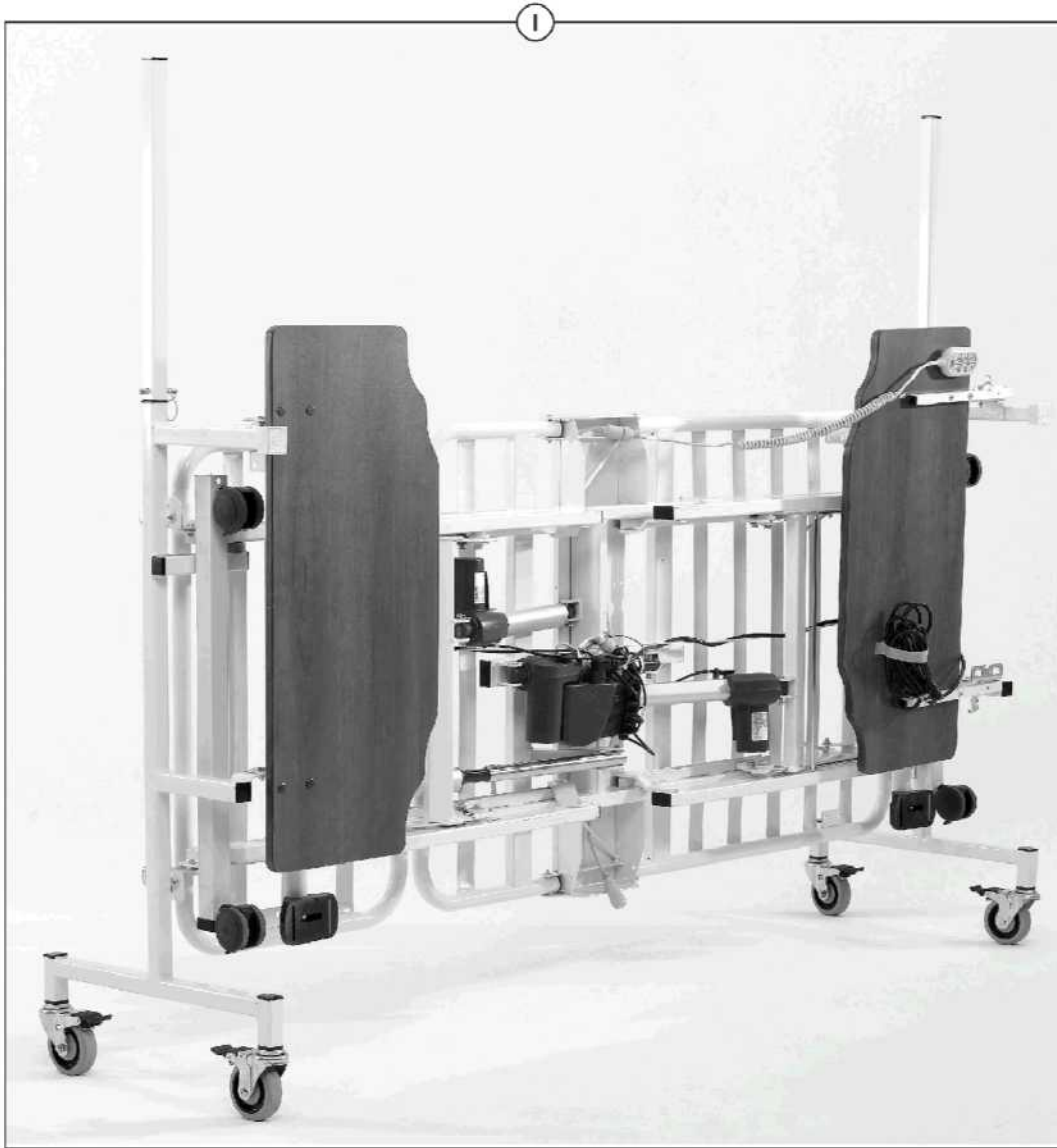


**Heavy Duty Trapeze**

# Trapeze

Item Number	Note	Part Number	Description	Quantity Per	
				Package	Assembly
1	A	IHCSTRP-NLA	NLA - Standard Trapeze	1	1
2		1153383-NLA	NLA - Standard Trapeze Bar	1	1
3		1146345-NLA	NLA - Plug Button, Round, Black (1-1/2")	1	1
4		1147186-NLA	NLA - Button, Snap	1	1
5	C	1153381-NLA	NLA - Kit, Hardware - Standard Trapeze	1	1
6			Lock Nut, Purple Insert (1/4-20)	2	1
7			Washer (3/4 x 1 x 11/64)	2	1
8		1147563-NLA	Handle, Trapeze Bar	1	1
9	D	1147610-NLA	NLA - Bracket, Mounting, Trapeze - Right	1	1
10	D	1147611-NLA	NLA - Bracket, Mounting, Trapeze - Left	1	1
11	E	1152551	Wireform, Trapeze - 80" (14-7/16")	1	1
12	B	IHCSTRPHD	Heavy Duty Trapeze	1	1
13		1153384	NLA - Boom, Heavy Duty Trapeze	1	1
14		1147211	NLA - Heavy Duty Trapeze Bar	1	2
15	C	1153382	Kit, Hardware - Heavy Duty Trapeze	1	1
16			Screw, Hex Head Cap (1/4-20 x 2-1/4")	2	1
17			Lock Nut, Purple Insert (1/4-20)	2	1
18		1147563	Handle, Trapeze Bar	1	1
19		1146345	NLA - Plug Button, Round, Black (1-1/2")	1	2
20		1147186	NLA - Button, Snap	1	2
21	D	1147610	NLA - Bracket, Mounting, Trapeze - Right	1	1
22	D	1147611	NLA - Bracket, Mounting, Trapeze - Left	1	1
23	E	1152551	Wireform, Trapeze - 80" (14-7/16")	1	1
NOTE: A - Includes items 1 - 8. B - Includes items 1 - 9. C - Includes (2) Screws and (2) Lock Nuts (2). D - Order as a pair only. E - Not shown in pictures.					

# Bed Transporter



Item Number	Note	Part Number	Description	Quantity Per	
				Package	Assembly
1		BDTRANSPORT CS	Bed Transporter	1	1



One Invacare Way  
Elyria, Oh USA  
44036-2125  
800-333-6900

Customer/Technical Service  
800-668-2337  
Service Availability  
Monday - Friday

Hours of Availability  
8 AM - 6 PM EST

© 2017 Invacare Corporation. All rights reserved. Republication, duplication or modification in whole or in part is prohibited without prior written permission from Invacare. Trademarks are identified by ™ and ®. All trademarks are owned by or licensed to Invacare Corporation or its subsidiaries unless otherwise noted. (Revised 8/15/17)